

## Connecting the SRD to a Harness with 4007-65 Connector

This Technical Bulletin affects the following Reliance products:

- 4007-65 Connector
- 4003T Stoplite Personal Arrest Device
- 4004T Stoplite Personal Arrest Device
- 4005T Stoplite Personal Arrest Device
- 4006T Stoplite Personal Arrest Device

All 400X series SRD's can be connected directly to the harness webbing at the back D-Ring location utilizing the 4007-65 Connector (Figure 1).

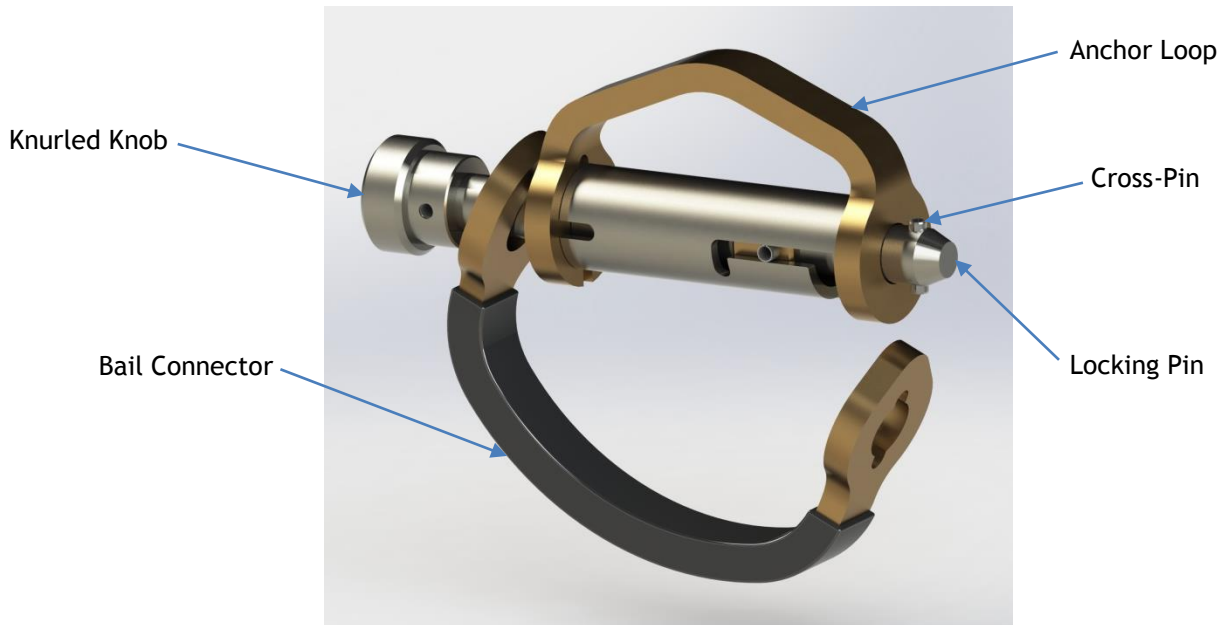


Figure 1

1. Remove the clevis connector from the top of the SRD. Pass the clevis(s) through the 4007-65 anchor loop and reinstall anchor bolt to the clevis and secure anchor bolt with nut and supplied safety locking pin. (Up to 2 units may be connected to anchor loop of the 4007-65 adaptor bracket) (Figure 2)
2. Pull both webbing shoulder straps in the back D-Ring into a loop away from the black back plaque. Pull enough slack to create a loop large enough to allow the insertion of the bail connector through the webbing. (Figure 3)
3. Open the bail connector by turning the knurled knob 90 degrees and pulling spring loaded pin back while aligning the slots in the bail connector with the locking pin ends. Turn the spring loaded pin into the open lock detent to hold the spring loaded pin open. (Figure 4)
4. Pass the bail connector behind the webbing loop. Both shoulder strap webs must be captured by the bail connector. (Figure 5)
5. Twist the knurled knob to release the spring loaded pin from the lock detents, as the pin releases align the slots in the bail connector to the locking pin ends. Ensure the pin is fully inserted into the bail connector hole and locks 90 degrees into the center barrel. (Figure 6)
6. When properly engaged, the cross-pin on the end of the locking pin will be rotated to the key-way on the top bail approximately 90 degrees. (Figure 7)



Figure 2



Figure 3



Figure 4



Figure 5



Figure 6

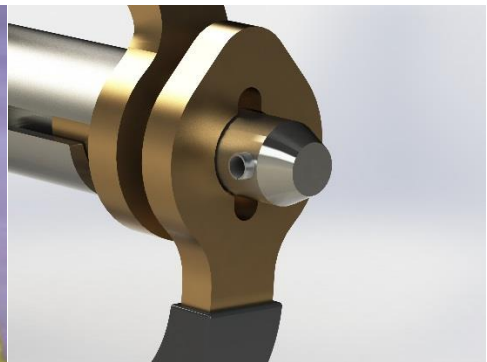


Figure 7

