



***Horizontal Lifeline  
System Components***



# Table of Contents



<i>Reliance Horizontal Lifelines : Types of Systems</i>	3
<i>2134 : Bowshackle Retaining Clip</i>	4
<i>3083-12 : Rebar Anchor Stanchion for Concrete</i>	4
<i>3088-0XX : Rebar Anchor Assembly</i>	5
<i>3089 : Adjustable Width Beam Anchor</i>	5
<i>3098 : Adjustable Width Beam Anchor</i>	6
<i>5100 : Pulley with Stainless Steel Side Plates</i>	6
<i>5103 : Bow Shackle Pulley</i>	7
<i>5200 : Rescue Ladder Mounting Bracket</i>	7
<i>5230 : Wire Rope Ladder for HLL Rescue</i>	8
<i>6000 : Inline Shock Absorber</i>	8
<i>6021-1 : Rigging Screw</i>	9
<i>6050 : Inline Cable Clamp (Zinc)</i>	9
<i>6051 : 1/2" Cast Inline Clamp</i>	10
<i>6052 : Inline Cable Clamp (Stainless)</i>	10
<i>6055 : 3/8" Combination Clamp</i>	11
<i>6062/6066 : Bow Shackles (Stainless)</i>	11
<i>6063 : 1/2" Bow Shackle (Galvanized)</i>	12
<i>6067 : 5/8" Bow Shackle (Galvanized)</i>	12
<i>6070-XX : 3/8" Galvanized Cable</i>	13
<i>6071-XX : 1/2" Cable Tie-Back</i>	13
<i>6076 : 2" Ratchet Strap Tieback Assembly</i>	14
<i>6077-21 : 1/2" Cable Tieback Assembly</i>	14
<i>6082 : 3/8" Stainless Wire Rope Clip</i>	15
<i>6088 : 1/2" Stainless Wire Rope Clip</i>	15
<i>6090 : 3" Ratchet Assembly</i>	16
<i>6092 : 3" Ratchet Strap</i>	16
<i>6122 : 2" Tieback Ratchet</i>	17
<i>6123 : 2" Ratchet with Web Shock Absorber</i>	17
<i>6127 : 15' x 2" Tieback Ratchet Strap with Wear Sleeve</i>	18
<i>6140 : Standard StrongBack®</i>	18
<i>6141 : Adjustable StrongBack®</i>	19
<i>6142 : Narrow StrongBack®</i>	19
<i>6151, 6178, 6163 : End/Bypass Stanchion</i>	20
<i>6154 : Weld-on Receiver for End and Bypass Stanchions</i>	20
<i>6166 : Clamp-on Bypass for Rebar Stanchion Systems</i>	21
<i>6167 : Weld-on Bypass Bracket</i>	21
<i>6168 : Weld-on Bypass Bracket</i>	22
<i>6170 : Receiver Bracket for Looped Rebar HLL Systems</i>	22
<i>6172 : Ratchet Strap Bypass Assembly</i>	23
<i>6173 : Concrete Beam Receiver Base (Upper &amp; Lower Plate)</i>	23
<i>6181 : PVC Drop-In Sleeve for Stanchion</i>	24
<i>6185-10 : Bolt Down Stanchion Receiver for Concrete</i>	24
<i>6190 : 60" HLL Extension Bar</i>	25
<i>6191 : 84" HLL Extension Bar</i>	25
<i>6200-XX : Rebar Tie-Back Anchor Plate</i>	26
<i>6200-21, 6210-21, 6220-21 : 60"/72"/84" Commercial Rebar Stanchion Head Tieback Assemblies</i>	26
<i>6200-23, 6210-23, 6220-23 : 60"/72"/84" Concrete Rebar Stanchions</i>	27
<i>6230 : HLL Stanchion Beam Clamp (Wide)</i>	27
<i>6231 : Horizontal Lifeline Stanchion Beam Clamp</i>	28
<i>6233 : Horizontal Lifeline Stanchion Beam Clamp</i>	28
<i>6235 : Horizontal Lifeline Stanchion Beam Clamp (Inverted)</i>	29
<i>6240 : Horizontal Lifeline Stanchion Beam Clamp (Universal)</i>	29
<i>6260 : Nelson Stud Bracket Base</i>	30
<i>6452 : Stainless Steel Horizontal Lifeline Hands-Free Bypass Support</i>	30
<i>6454 : Stainless Steel Horizontal Lifeline Hands-Free Bypass Support</i>	31
<i>6461 : Horizontal Lifeline Hands Free Dual Wheel Traveler</i>	31
<i>6310 : Portable Horizontal Lifeline System w/o anchorages or cable</i>	32
<i>6320-30 : 30' Temporary Horizontal Lifeline System</i>	33
<i>6320-60 : 60' Temporary Horizontal Lifeline System</i>	33

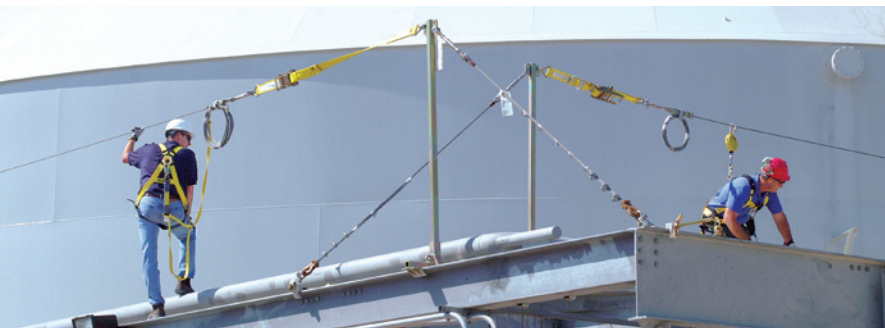


Reliance manufactures a variety of horizontal lifeline components and systems that are designed specifically for segments of industry where fall hazards that require unique, functional solutions exist. The components outlined in this manual are common elements in the types of systems shown below; the manual does include specialty components designed for use in other highly custom areas. Many of the components in Road & Bridge, Structural Steel, and Concrete systems are common to all three types.



Road & Bridge systems use components that were developed to meet the standard requirements of road and bridge work environments, and have been thoroughly field tested on actual jobsites. Reliance Horizontal Lifeline Systems for Road and Bridge work share a common horizontal lifeline system, but use different anchor, stanchion, and other elements specific to the environment in which they are installed.

## ***Road & Bridge Systems***



Structural steel systems are designed for installation on existing structures. Most structures can be accommodated with off the shelf components. System height is 5' - 7' (1.5 - 2.1m) above the walking surface or can be configured to hang from above. System stabilization is maintained with tie-back cables or strong back struts when stanchions are utilized. On structures where clamping on the top flange of I-beams is not feasible, underslung clamps may be used.

## ***Structural Steel Systems***



Construction projects utilizing concrete foundations are among the most common in building sites worldwide. Reliance offers several off the shelf systems which effectively address most concrete construction applications. Since each project has unique challenges, custom fabrication of brackets and structural interfaces are available upon request.

## ***Concrete Systems***

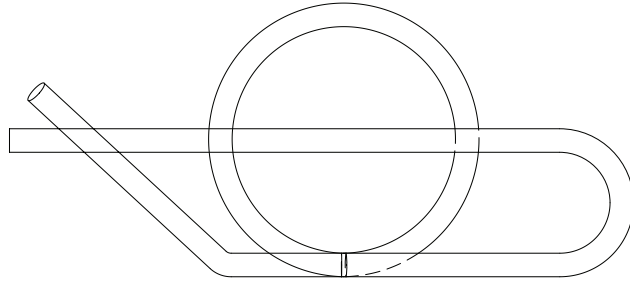
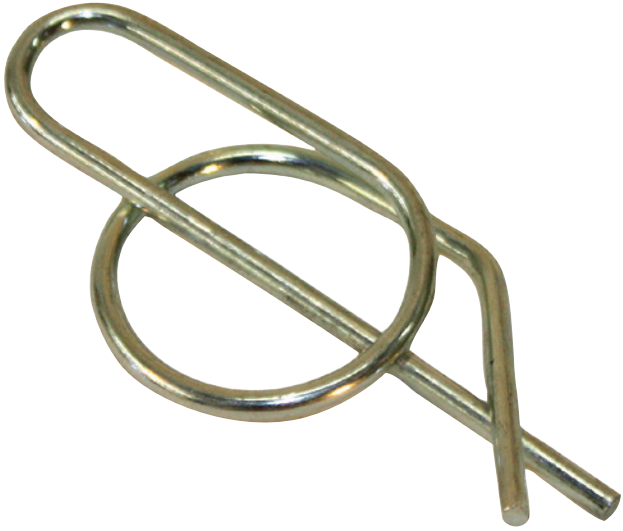


With our large selection of off the shelf components, most any structure may be fitted with a permanent or temporary Reliance horizontal lifeline. With the ability to 'tune' our lifeline systems, Reliance can accommodate clearance and span geometries that our competitors have difficulty with.

## ***Specialty Systems***



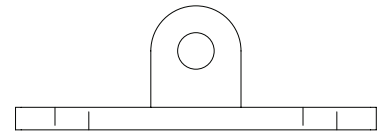
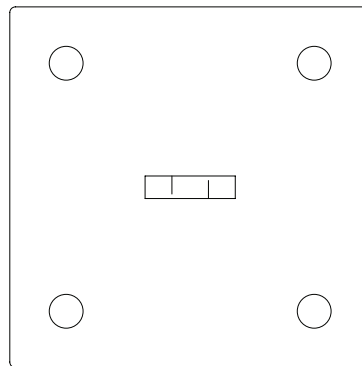
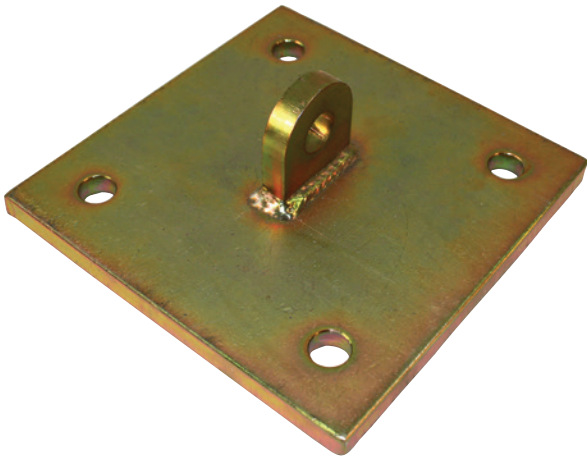
# Horizontal Lifeline System Components



**No Replaceable Parts**

**Bowshackle Retaining Clip**  
Product Number: 2134

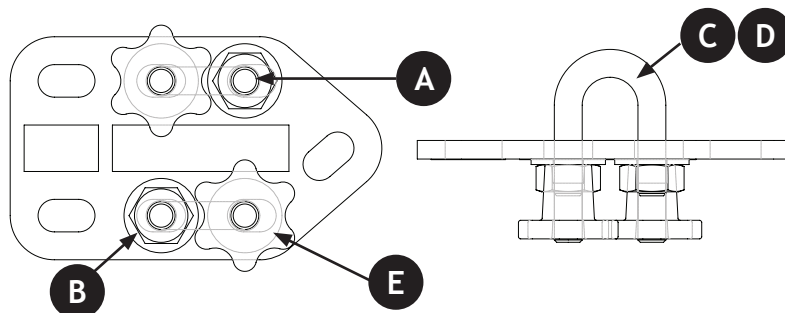
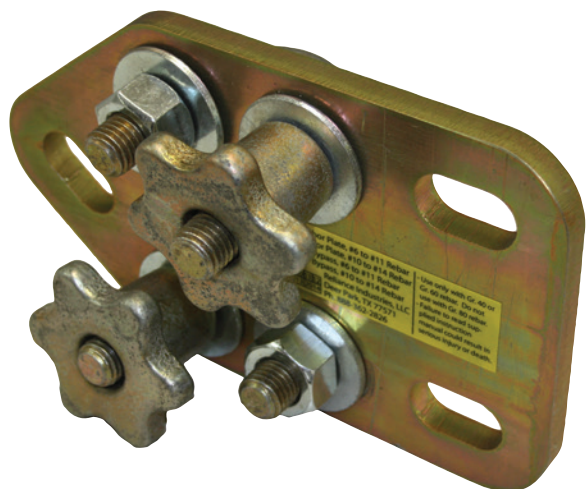
Bowshackle retaining clip. No tools required for installation.



**No Replaceable Parts**

**Rebar Anchor Stanchion System for Concrete Construction**  
Product Number: 3083-12

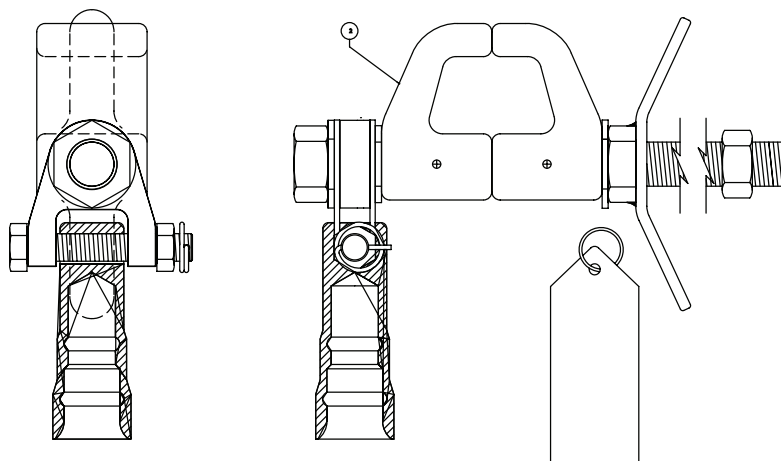
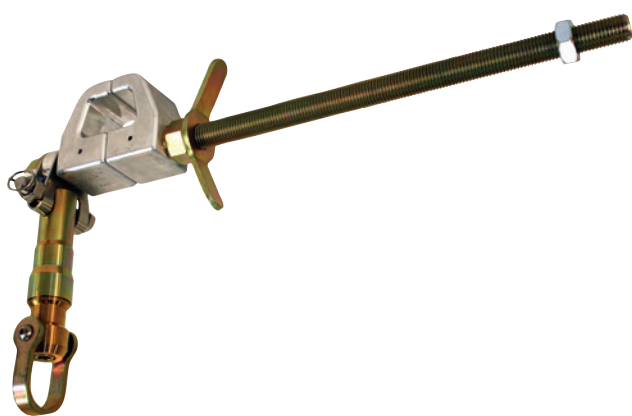
8" X 8" (20cm X 20cm) single lug bolt-down anchor plate for tie back in concrete  
(\*Sold only as parts of complete engineered systems or to registered customers as replacement parts.)



Replaceable Parts	
Part #	Description
2112-75-6	3/4" (19mm) hex heavy nut (A)
2122-75-2	3/4" (19mm) flat washer wide (B)
6200-011-29	'J'-bolt for 3088-011 (C)
6200-014-29	'J'-Bolt for 3088-014 (D)
6200-30	Knob handle (E)

## Horizontal Lifeline Rebar Anchor Assembly Product Number: 3088-0XX

HLL Rebar Anchor Assembly for rebar Direct Connect system.  
3088-011 for #6-#11 Rebar. 3088-014 for #12-#14 Rebar



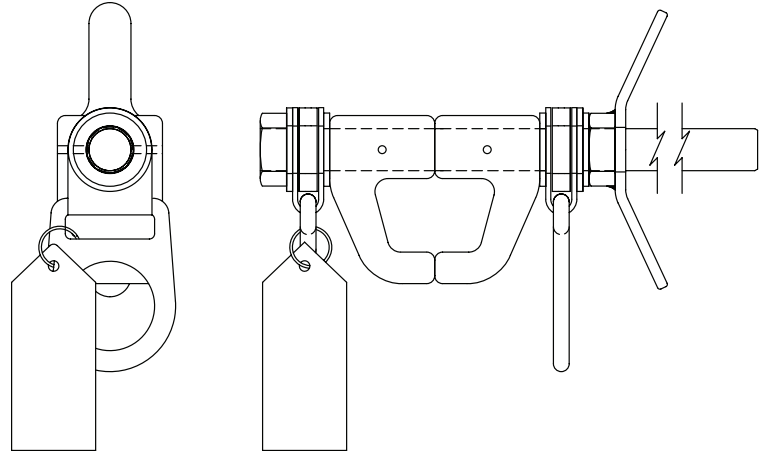
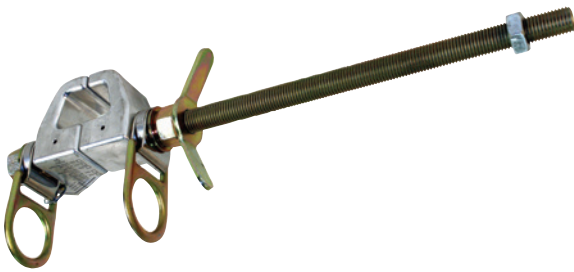
**No Replaceable Parts**

## Adjustable Width Beam Anchor Product Number: 3089

Allows for remote connection of the 2260 anchor point to the 3089 beam anchor utilizing the 2262 pole. Attaches to I-Beams with 4" to 16-5/8" flanges and 1/4" to 1-3/4" flange thickness (4 - 41.5cm width, .6 - 4.4cm thick)



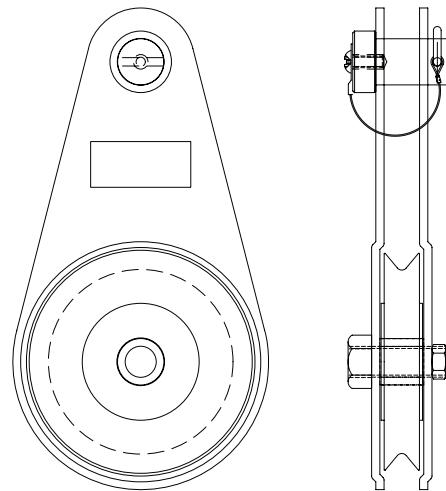
# Horizontal Lifeline System Components



**No Replaceable Parts**

**Adjustable Width Beam Anchor**  
Product Number: 3098

Dual anchor ring for personal fall arrest equipment or engineered Horizontal Lifeline. Attaches to I-Beams with 4" to 16-5/8" flanges and 1/4" to 1-3/4" flange thickness (4 - 41.5cm width, .6 - 4.4cm thick)

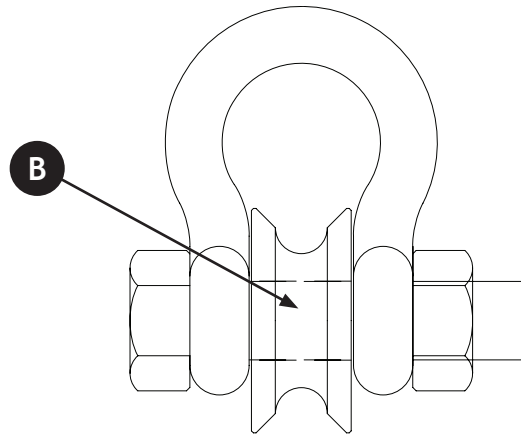


**No Replaceable Parts**

**Pulley with Stainless Steel Side Plates**  
Product Number: 5100

Pulley with Stainless Steel Side Plates.

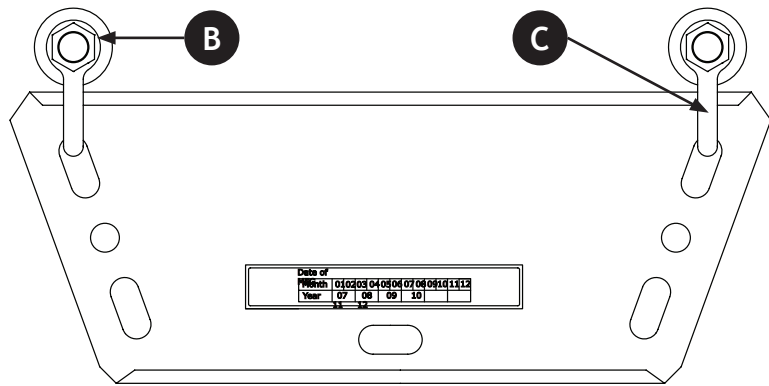
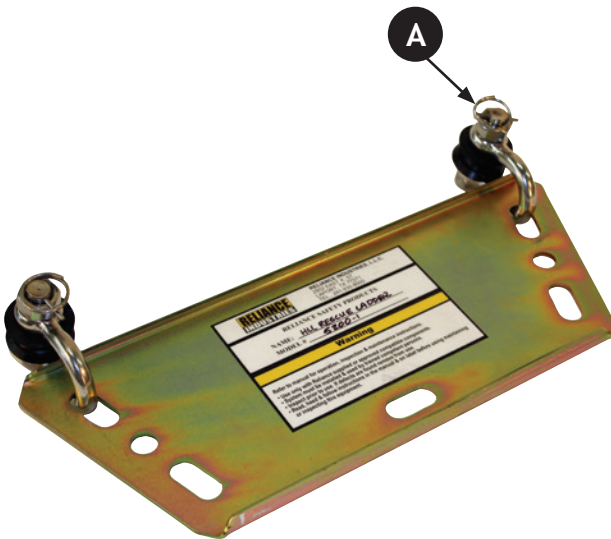




Replaceable Parts	
Part #	Description
2134	Bowshackle retaining clip (A)
5103-11	1/2" (13mm) pulley wheel

## Bow Shackle Pulley Product Number: 5103

Bow Shackle Pulley - 3/8" (10mm) Cable



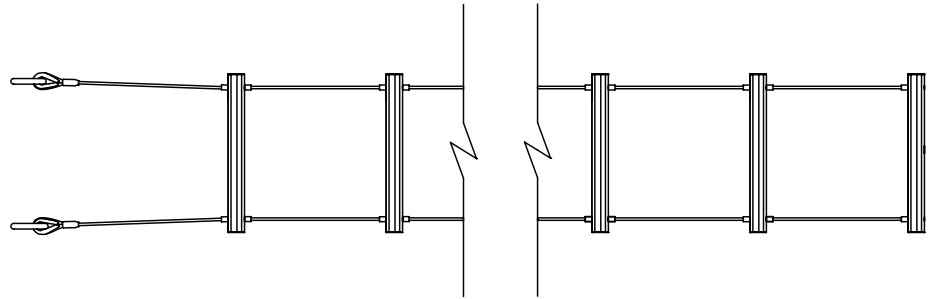
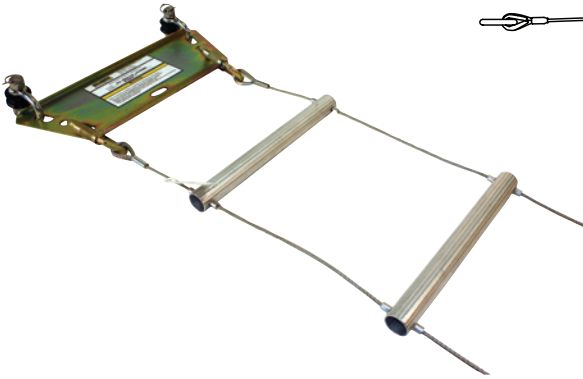
Replaceable Parts	
Part #	Description
2134	Bowshackle retaining clip (A)
5103-11	1/2" (13mm) pulley wheel
6062	1/2" stainless steel bow shackle (C)

## Horizontal Lifeline Rescue Ladder Mounting Bracket Product Number: 5200

Horizontal Lifeline Rescue Ladder Mounting Bracket. Used with 5230 Wire Rope Rescue Ladder.



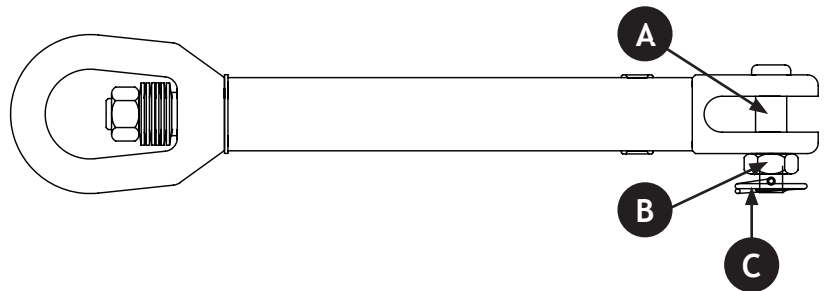
# Horizontal Lifeline System Components



**No Replaceable Parts**

## Wire Rope Ladder for Horizontal Lifeline rescue Product Number: 5230

30' (9.1m) Wire Rope Ladder for Horizontal Lifeline rescue (#5200 bracket not included)



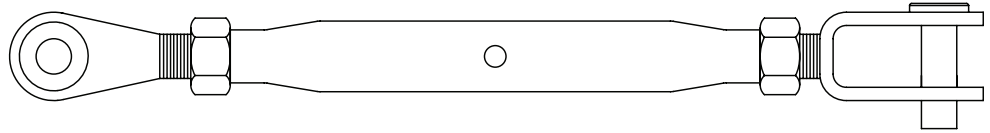
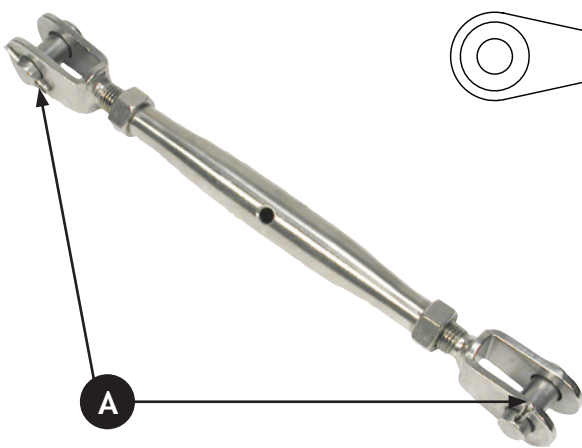
Replaceable Parts	
Part #	Description
6000-28	1/2" X 1-1/2" (13X39mm) stainless steel pin (A)
2110-50-5	1/2" (13mm) stainless steel hex nut (B)
2134	Bowshackle retaining clip (C)

## Skyline™ HLL Energy Absorber Product Number: 6000

Shock absorber assembly made from stainless steel. 5.25" (13cm) travel at 2000 lbs. of force  
\*Sold only as parts of complete engineered systems or to registered customer as replacement parts.)



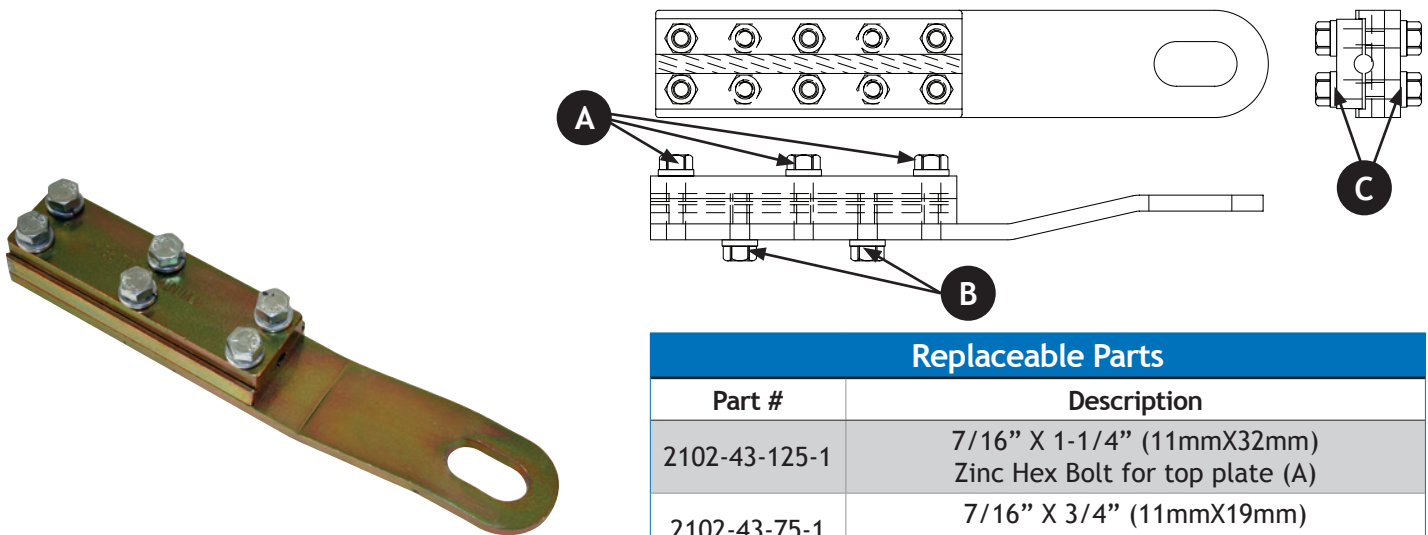




Replaceable Parts	
Part #	Description
2134	Bowshackle retaining clip (A)

## Stainless Steel Rigging Screws Product Number: 6021-1

For use as a component of a tieback assembly (6077) or permanent lifelines kit # (6300). 8" (20cm) travel adjustment. (\*Sold only as parts of complete engineered systems or to registered customers as replacement parts.)



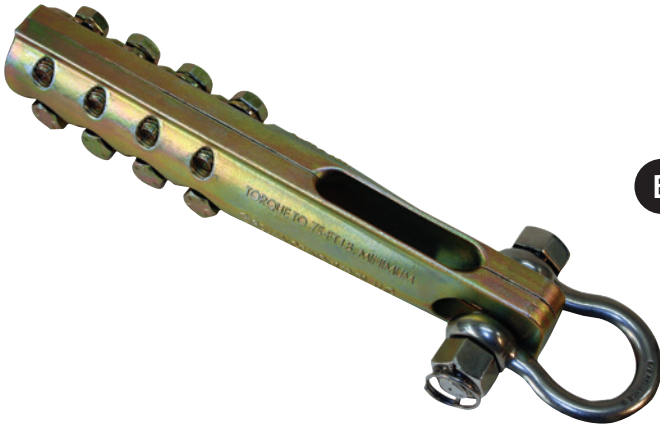
Replaceable Parts	
Part #	Description
2102-43-125-1	7/16" X 1-1/4" (11mmX32mm) Zinc Hex Bolt for top plate (A)
2102-43-75-1	7/16" X 3/4" (11mmX19mm) Zinc Hex Bolt for bottom plate (B)
2122-43-3	7/16" (11mm) Zinc lock washer (C)

## Zinc Plated Inline Cable Clamp Product Number: 6050

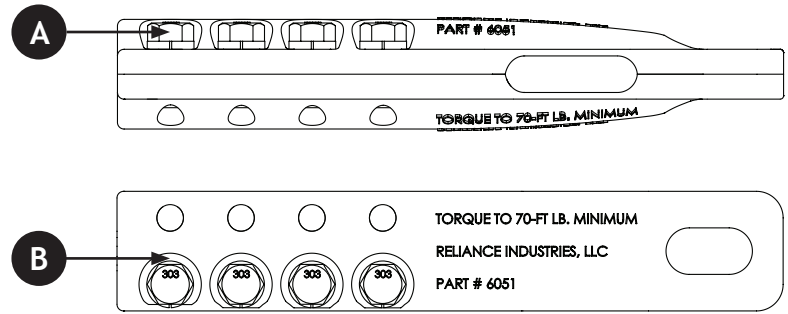
Can clamp anywhere along 3/8" (10mm) wire rope without crimping or damaging the cable. Zinc plated. (\*Sold only as parts of complete engineered systems or to registered customer as replacement parts.)



# Horizontal Lifeline System Components



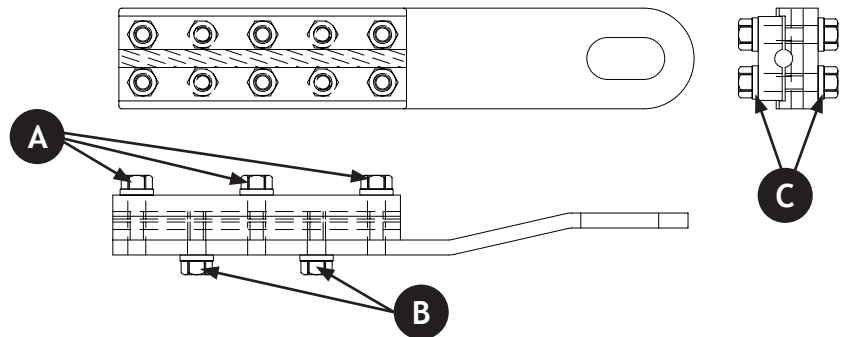
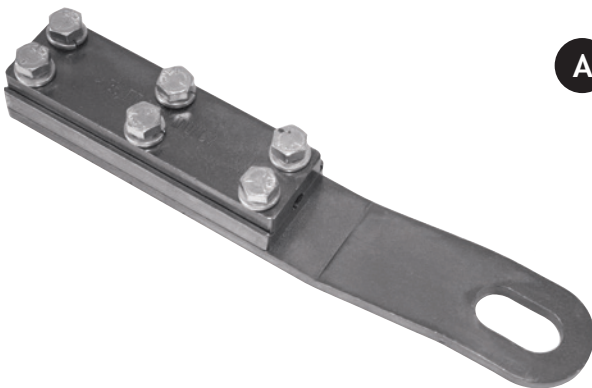
\*Shackle and bolt not included



Replaceable Parts	
Part #	Description
2102-50-150-1	1/2" X 1-1/2" (13mmX39mm) hex bolt - Zinc (A)
2122-50-3	1/2" (13mm) lock washer (B)

## Cast Inline Clamp Product Number: 6051

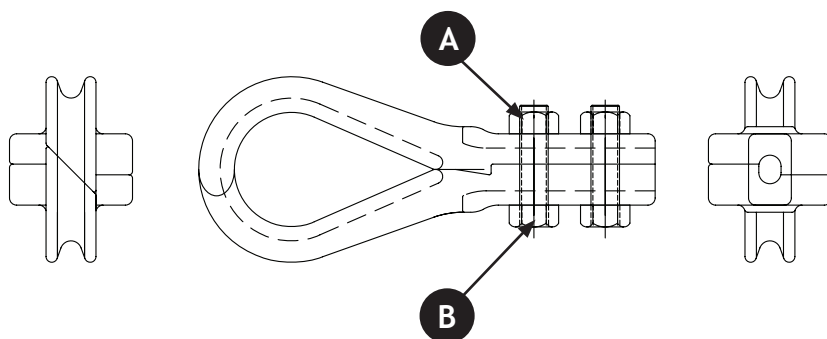
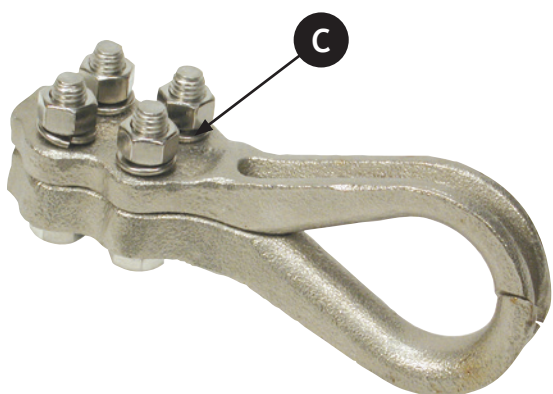
1/2" (13mm) Cast Inline Clamp (bow shackle not included) for horizontal lifeline systems.



Replaceable Parts	
Part #	Description
2100-43-125-1	7/16" X 1-1/4" (11mmX32mm) Stainless Hex Bolt for top plate (A)
2100-43-75-1	7/16" X 3/4" (11mmX19mm) Stainless Hex Bolt for bottom plate (B)
2120-43-3	7/16" (11mm) Stainless lock washer (C)

## Stainless Steel Inline Cable Clamp Product Number: 6052

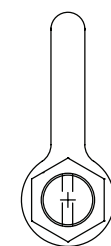
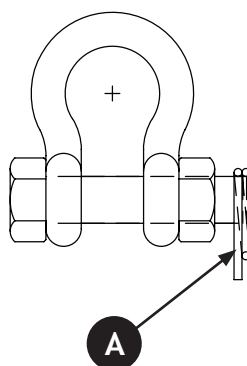
Can clamp anywhere along 3/8" (10mm) wire rope without crimping or damaging the cable. Stainless steel. (\*Sold only as parts of complete engineered systems or to registered customer as replacement parts.)



Replaceable Parts	
Part #	Description
2110-50-1	Nut in clamp (A)
2100-50-250-1	1/2" X 2-1/2" (13mmX65mm) bolt in clamp (B)
2120-50-3	Lock washer in clamp (C)

## 3/8" (10mm) Large Loop Combo Clamp Wire Rope End Termination Product Number: 6055

All stainless steel, 4-bolt clamp assures maximum strength.  
(\*Sold only as parts of complete engineered systems or to registered customer as replacement parts.)



SAFETY PIN THIS VIEW NOT SHOWN

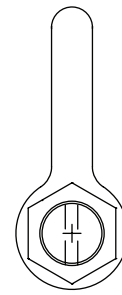
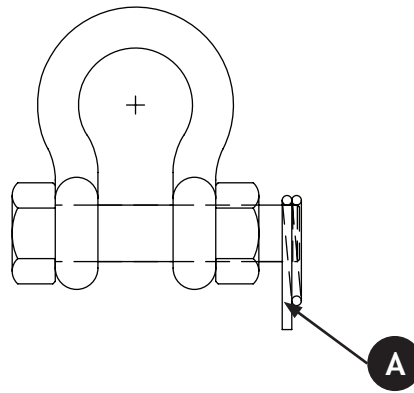
Replaceable Parts	
Part #	Description
2134	Bowshackle Retaining Clip (A)

## Stainless Forged Bow Shackle 1/2" (13mm) Product Number: 6062

1/2" (13mm) Stainless steel forged bow shackle. 6066 = 5/8" (16mm) size  
(\*Sold only as parts of complete engineered systems or to registered customers as replacement parts.)



# Horizontal Lifeline System Components

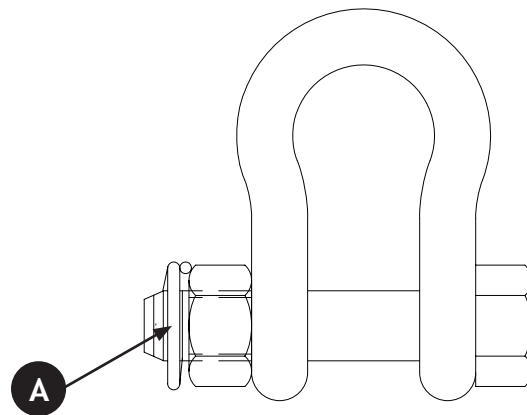


SAFETY PIN THIS VIEW NOT SHOWN

Replaceable Parts	
Part #	Description
2134	Bowshackle retaining clip (A)

## Galvanized Forged Bow Shackle Product Number: 6063

1/2" (13mm) Galvanized Forged Bow Shackle

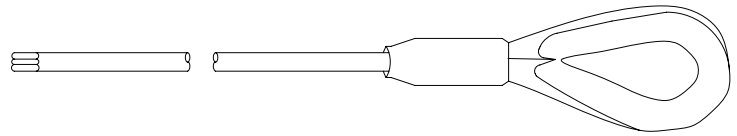


Replaceable Parts	
Part #	Description
2134	Bowshackle retaining clip (A)

## Galvanized Forged Bow Shackle Product Number: 6067

5/8" (16mm) Galvanized Forged Bow Shackle

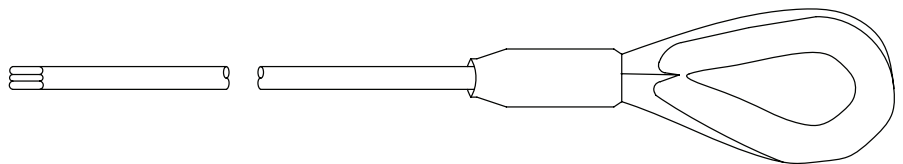




**No Replaceable Parts**

## Skyline™ Lifeline Cable Product Number: 6070-XX

3/8" (10mm) 7x19 galvanized aircraft cable. 'XX' designates cable length; 200' (61m) max. length. Fitted with swaged flemish splice on one end and seized on free end. (\*Sold only as parts of complete engineered systems or to registered customer as replacement parts.)



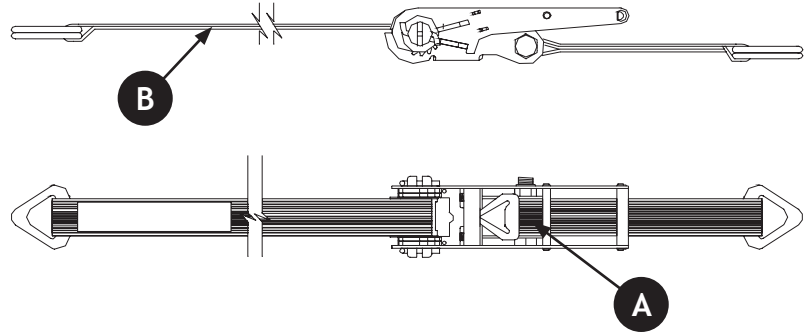
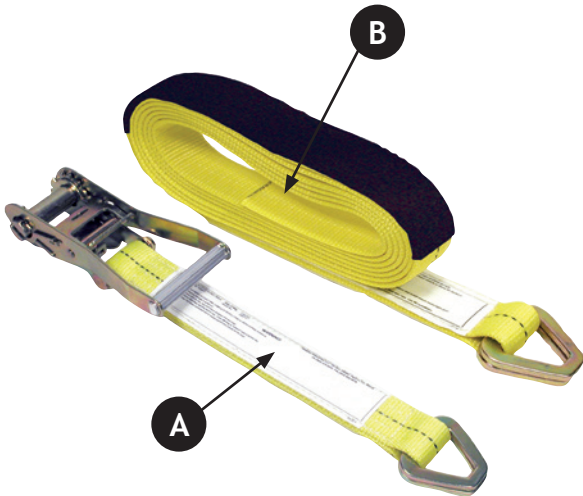
**No Replaceable Parts**

## Cable Tieback Product Number: 6071-XX ('XX' indicates length in feet)

1/2" (13mm) 6x25 galvanized IWRC cable. Fitted with swaged flemish splice on one end and seized on free end. (\*Sold only as parts of complete engineered systems or to registered customers as replacement parts.)



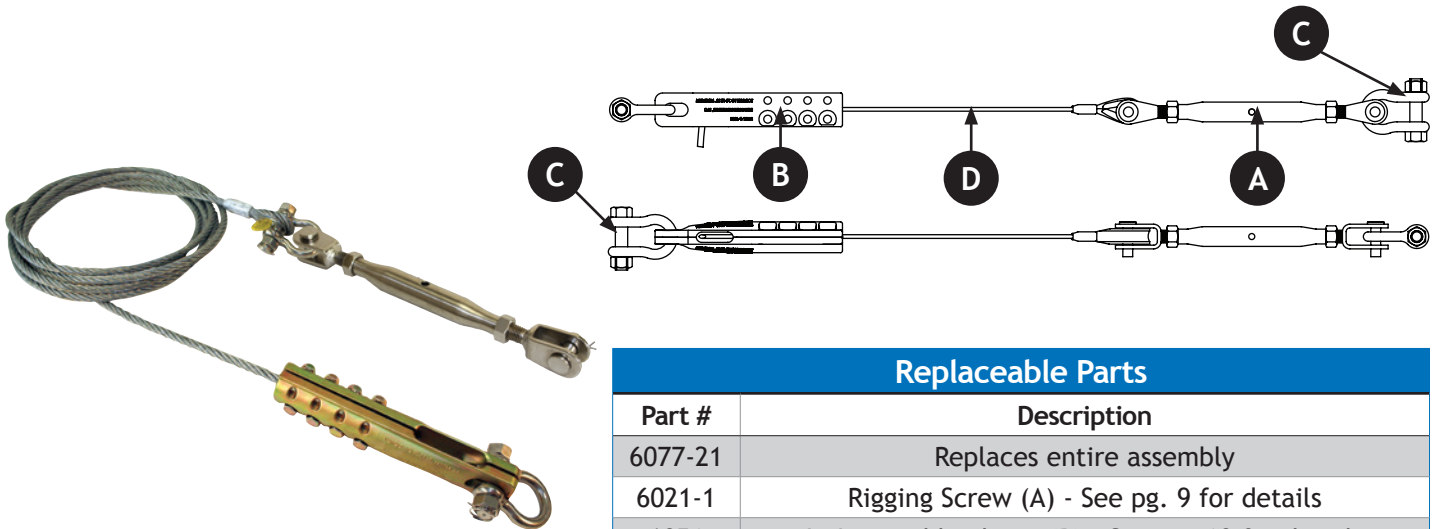
# Horizontal Lifeline System Components



Replaceable Parts	
Part #	Description
6122-1	2" (5cm) ratchet assembly (A)
6127-1	15' (4.5m) web tail with protective sleeve (B)

## 2" (5cm) Ratchet Strap Tieback Assembly Product Number: 6076

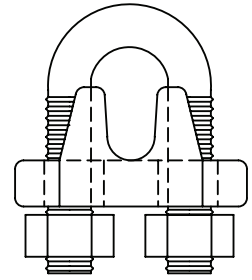
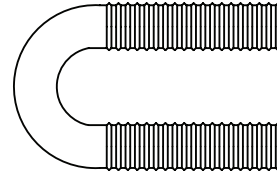
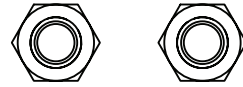
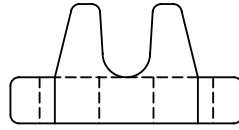
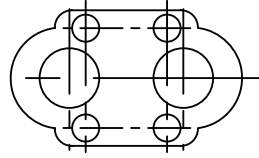
Used for securing end stanchion termination on looped rebar systems. Standard 2" (5cm) ratchet with 15' (4.5m) tail. (\*Sold only as parts of complete engineered systems or to registered customers as replacement parts.)



Replaceable Parts	
Part #	Description
6077-21	Replaces entire assembly
6021-1	Rigging Screw (A) - See pg. 9 for details
6051	In-Line cable clamp (B) - See pg. 10 for details
6066	5/8" (16mm) bow shackle (C) - See pg. 11 for details
6071-22	22' (6.7m) cable (D) - See pg. 13 for details

## Cable Tieback Assembly 1/2" (13mm), Adjustable 21' (6.4m) Length Product Number: 6077-21

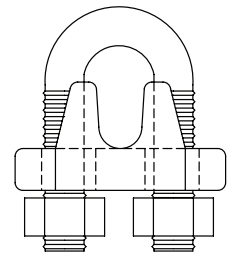
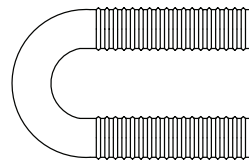
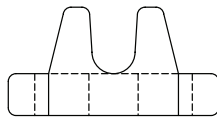
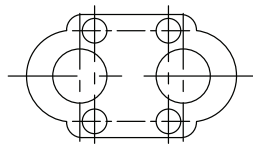
Galvanized Cable.  
(\*Sold only as parts of complete engineered systems or to registered customers as replacement parts.)



**No Replaceable Parts**

**Wire Rope Clip**  
**Product Number: 6082**

Stainless steel 3/8" (10mm) wire rope clips.  
(\*Sold only as parts of complete engineered systems or to registered customers as replacement parts.)



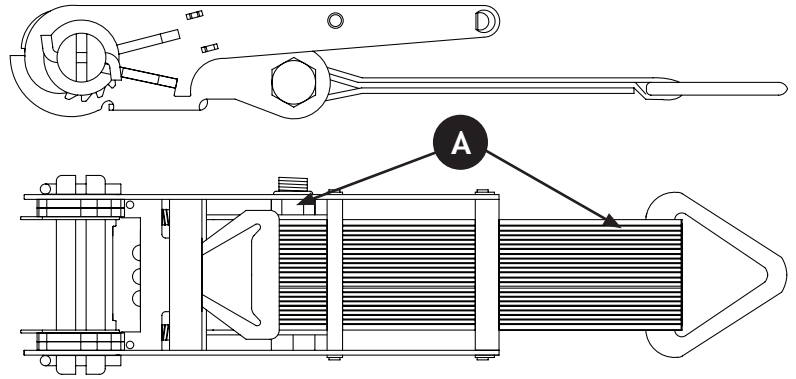
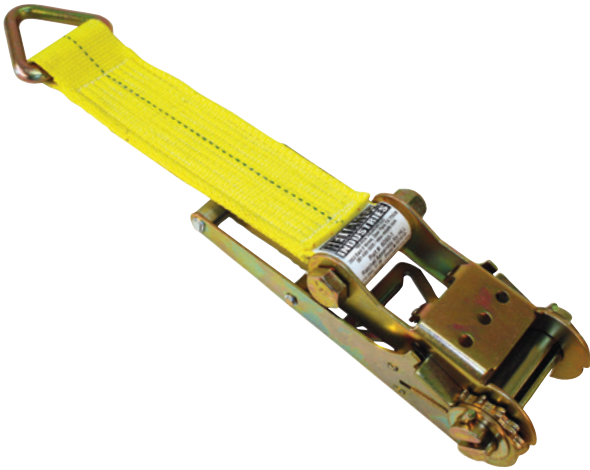
**No Replaceable Parts**

**Wire Rope Clip**  
**Product Number: 6088**

Stainless steel 1/2" (13mm) wire rope clips.  
(\*Sold only as parts of complete engineered systems or to registered customers as replacement parts.)



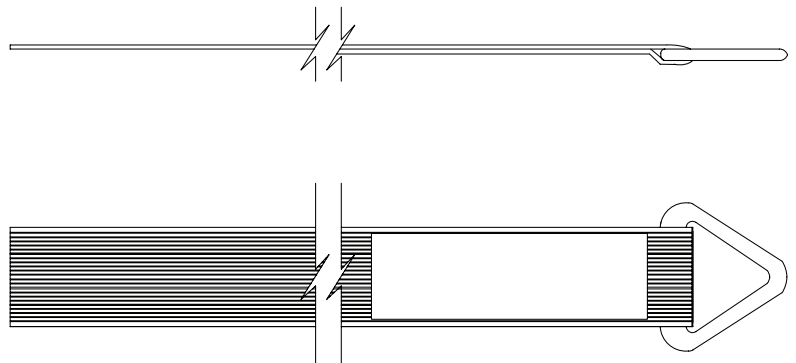
# Horizontal Lifeline System Components



Replaceable Parts	
Part #	Description
6090-1	Replaces entire Ratchet Assembly
6090-2	Web strap with triangle ring and Ny-Lock nut at web attachment (A)

## 3" (7.6cm) Ratchet Assembly Product Number: 6090

3" (7.6cm) Ratchet Assembly. For portable systems.  
(\*Sold only as parts of complete engineered systems or to registered customers as replacement parts.)



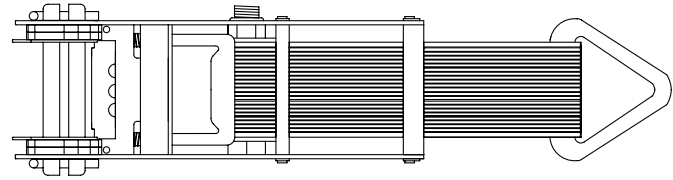
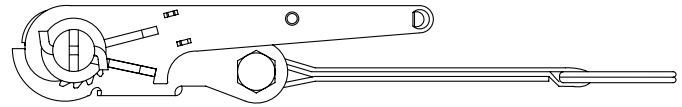
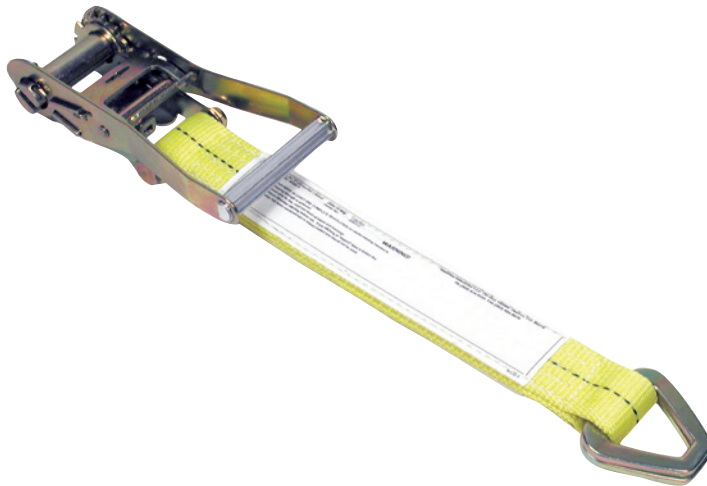
## No Replaceable Parts

## 10' X 3" (3m X 7.6cm) Webbing Strap Assembly for Portable System Product Number: 6092

Triangle end. For use with 6090 ratchet assembly (sold separately). Component of 6310.  
(\*Sold only as parts of complete engineered systems or to registered customer as replacement parts.)



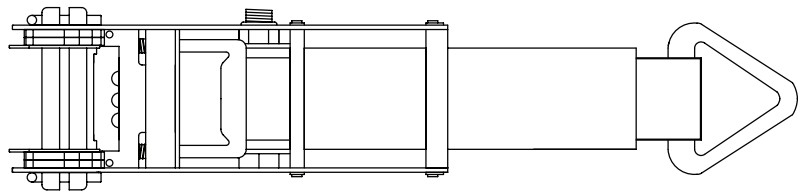
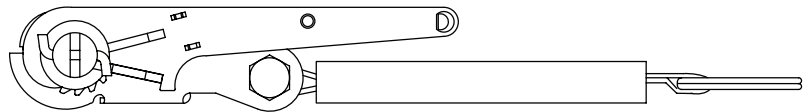




**No Replaceable Parts**

**Tieback Ratchet**  
**Product Number: 6122**

Used for looped rebar system. 2" (5cm) webbing. Used with 6127 web assembly (sold separately).  
(\*Sold only as parts of complete engineered systems or to registered customers as replacement parts.)



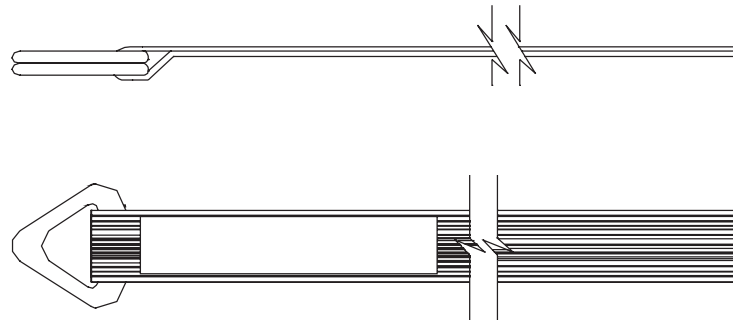
**No Replaceable Parts**

**2" (5cm) Ratchet with Webbing Shock Absorber**  
**Product Number: 6123**

Component of 6320-30 and 6320-60 temporary systems.  
(\*Sold only as parts of complete engineered systems or to registered customers as replacement parts.)



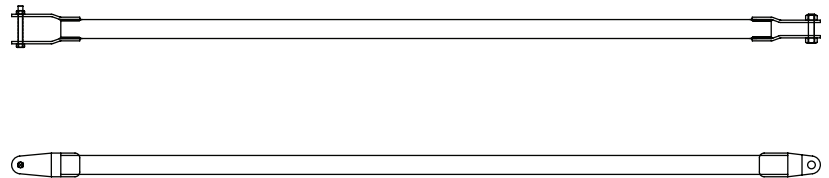
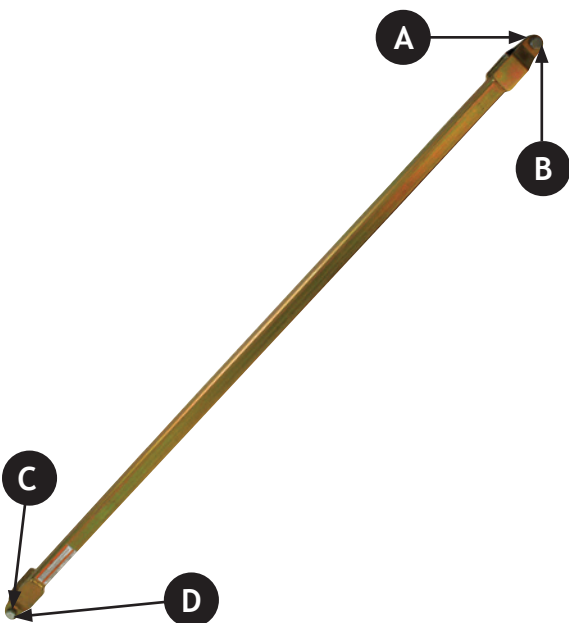
# Horizontal Lifeline System Components



**No Replaceable Parts**

**15' x 2" (4.5m X 5cm) Tieback Ratchet Strap with Wear Sleeve**  
Product Number: 6127

Used for looped rebar system. Use with 6122 ratchet assembly (sold separately).  
(\*Sold only as parts of complete engineered systems or to registered customers as replacement parts.)

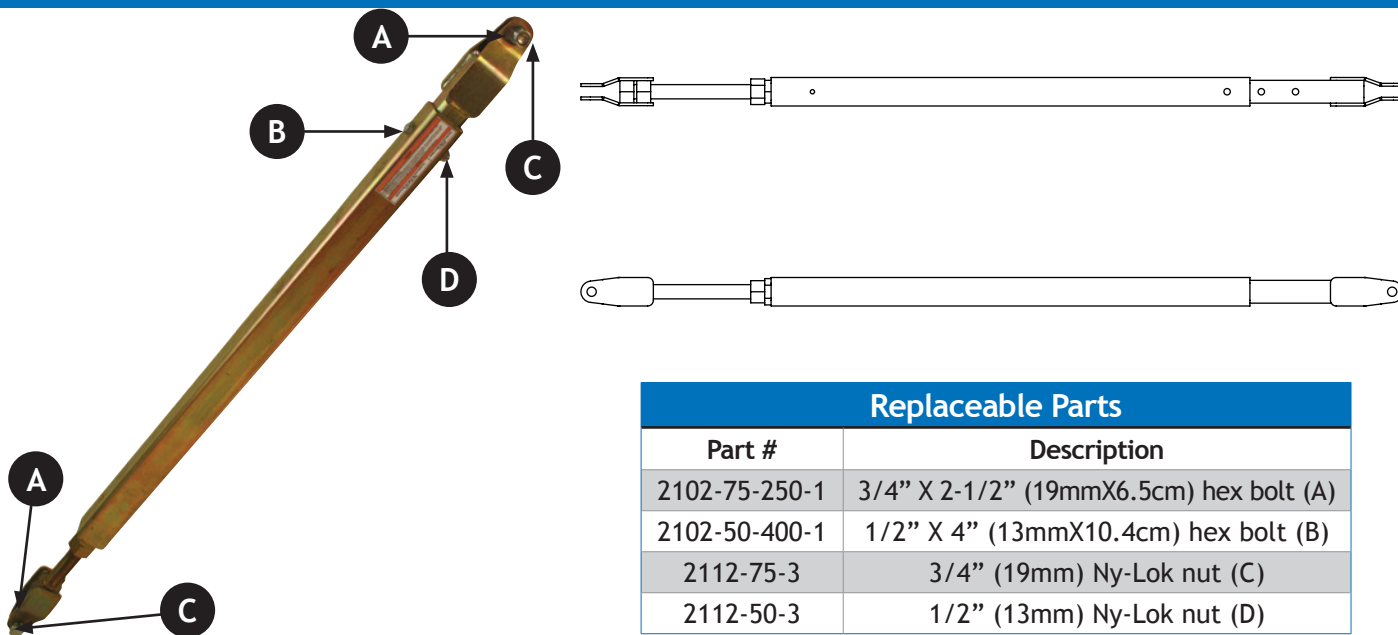


Replaceable Parts	
Part #	Description
2102-75-250-1	3/4" X 2-1/2" (19mmX6.5cm) hex bolt (A)
2112-75-3	3/4" (19mm) Ny-Lok nut (B)
2102-50-400-1	1/2" X 4" (13mmX10.4cm) hex bolt (C)
2112-50-3	1/2" (13mm) Ny-Lok nut (D)

**Standard StrongBack®**  
Product Number: 6140

82" (2m) Standard Strong Back. End point anchor component for horizontal lifeline systems.

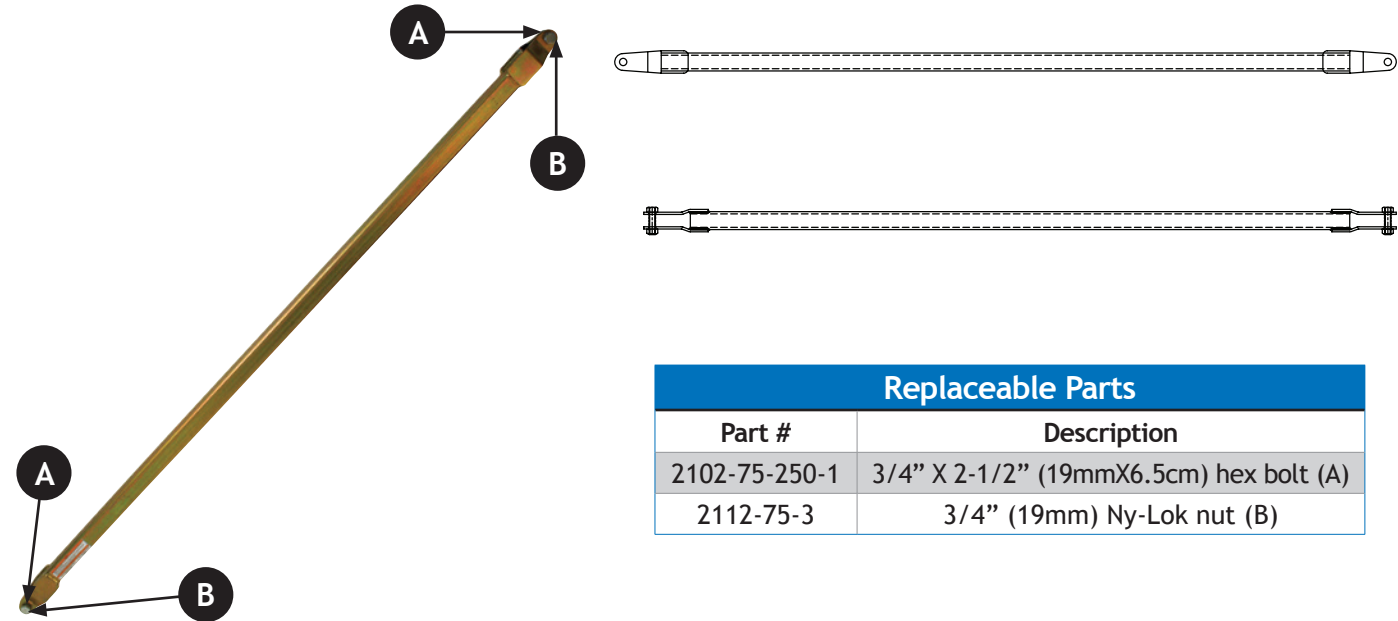




Replaceable Parts	
Part #	Description
2102-75-250-1	3/4" X 2-1/2" (19mmX6.5cm) hex bolt (A)
2102-50-400-1	1/2" X 4" (13mmX10.4cm) hex bolt (B)
2112-75-3	3/4" (19mm) Ny-Lok nut (C)
2112-50-3	1/2" (13mm) Ny-Lok nut (D)

## Adjustable StrongBack® Product Number: 6141

82" (2m) Adjustable Strong Back for horizontal lifeline end point anchorages.



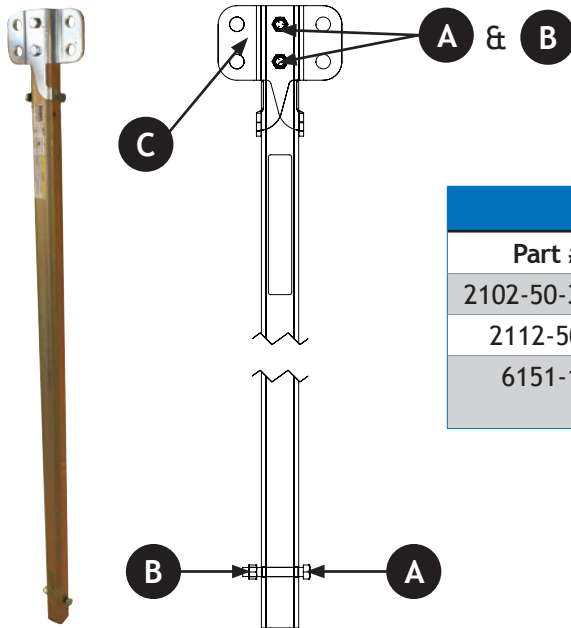
Replaceable Parts	
Part #	Description
2102-75-250-1	3/4" X 2-1/2" (19mmX6.5cm) hex bolt (A)
2112-75-3	3/4" (19mm) Ny-Lok nut (B)

## Narrow StrongBack® Product Number: 6142

82" (2m) Narrow Strong Back. End point anchor component for horizontal lifeline systems.



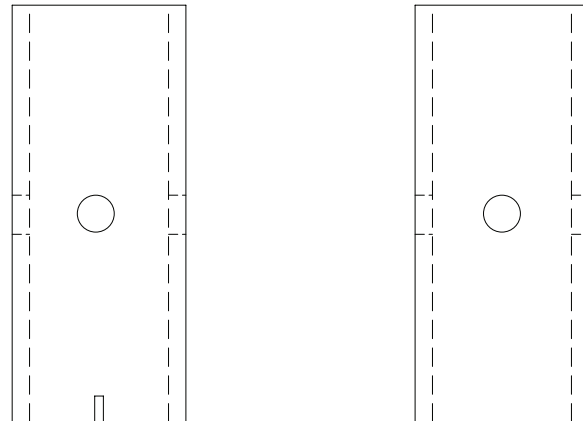
# Horizontal Lifeline System Components



Replaceable Parts	
Part #	Description
2102-50-325-1	1/2" X 3-1/4" (13mmX8.25cm)hex bolt (A)
2112-50-3	1/2" (13mm) Ny-Lok nut (B)
6151-15	End/Bypass stanchion cap (2ea. comprise one complete head) (C)

## End / By-Pass Stanchion Product Number: 6151, 6178, 6163

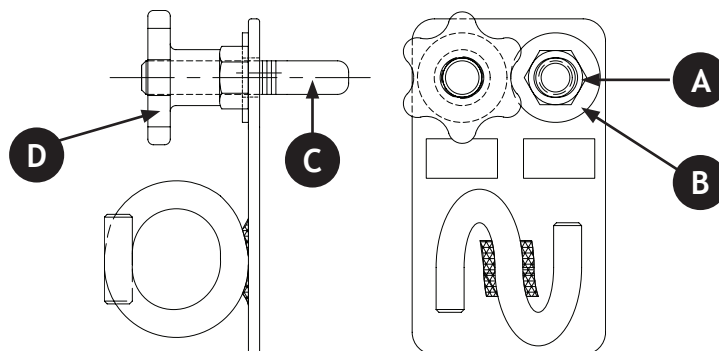
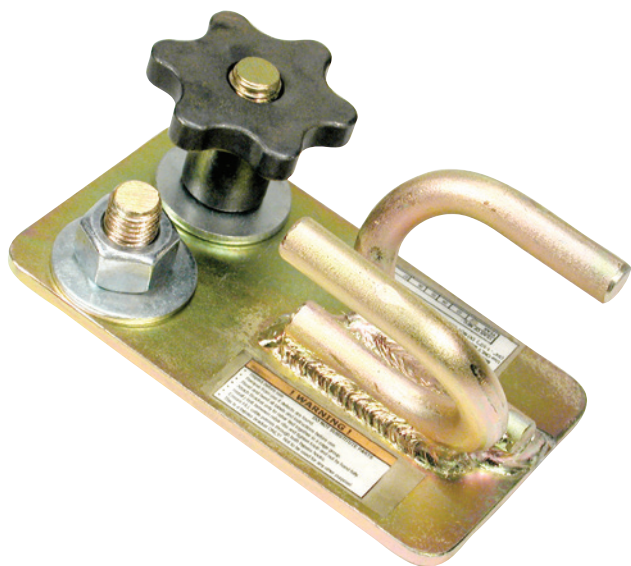
Combination End/By-Pass Stanchion for horizontal lifeline systems.  
Standard sizes : 6151 - 60" (1.5m) 6178 - 72" (1.8m) 6163 - 84" (2.1m)



**No Replaceable Parts**

## Weld-on Receiver for End and Bypass Stanchions Product Number: 6154

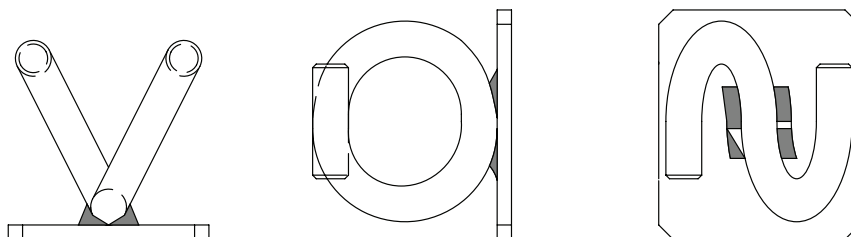
This is a low-cost alternative to beam clamps. 2" (5cm) ID.  
(\*Sold only as parts of complete engineered systems or to registered customers as replacement parts.)



Replaceable Parts	
Part #	Description
2112-75-6	3/4" (19mm) hex heavy nut (A)
2122-75-2	3/4" (19mm) flat washer wide (B)
6200-29	J-bolt (C)
6200-30	Knob handle (D)

## Clamp-on Bypass for Rebar Stanchion Systems Product Number: 6166

Side mount cable bypass for rebar.  
(\*Sold only as parts of complete engineered systems or to registered customers as replacement parts.)



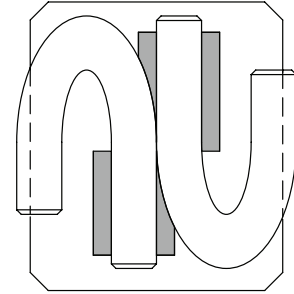
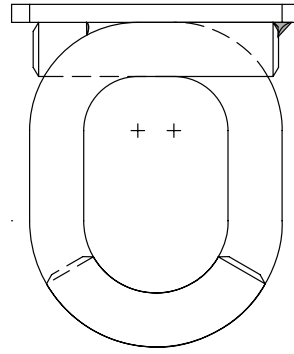
**No Replaceable Parts**

## Weld-on Bypass Bracket Product Number: 6167

Weld-on Bypass Bracket, Side mount.  
(\*Sold only as parts of complete engineered systems or to registered customers as replacement parts.)



# Horizontal Lifeline System Components

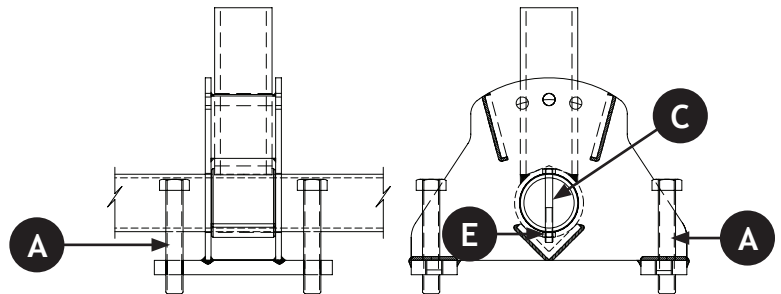
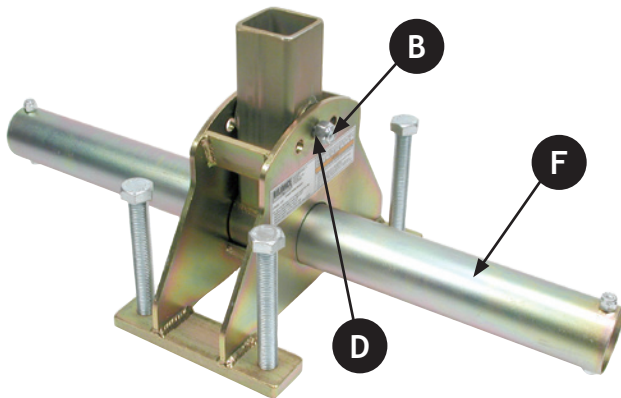


**No Replaceable Parts**

## Weld-on Bypass Bracket Product Number: 6168

Top mount.

(\*Sold only as parts of complete engineered systems or to registered customers as replacement parts.)



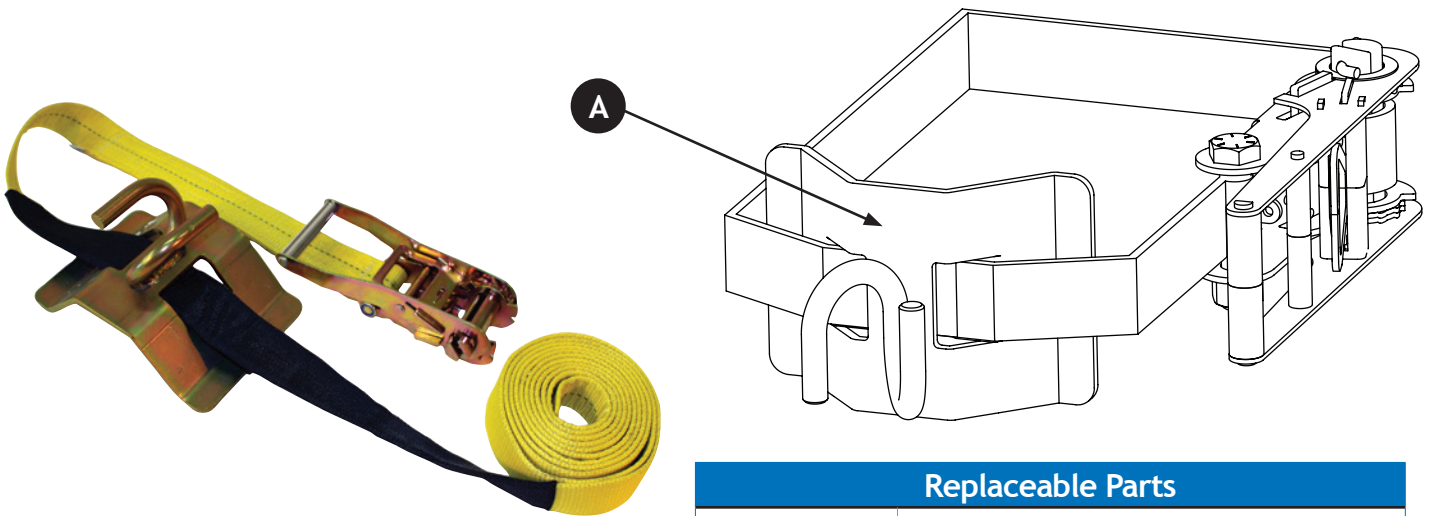
### Replaceable Parts

Part #	Description
2102-75-600-2	3/4" X 6" (19mmX15cm) hex tap bolt (A)
2102-50-400-1	1/2" X 4" (13mmX4cm) hex bolt (B)
2102-37-300-1	3/8" X 3" (10mmX7.6cm) hex bolt (C)
2112-50-3	1/2" (13mm) Ny-Lok nut (D)
2112-37-3	3/8" (10mm) Ny-Lok nut (E)
6170-25	28" (.7m) Load Tube (F)

## Receiver Bracket for Looped Rebar HLL Systems Product Number: 6170

For use with 2" (5cm) square end stanchions and bypasses REL6152 & REL6155 style stanchions (sold separately). (\*Sold only as parts of complete engineered systems or to registered customer as replacement parts.)

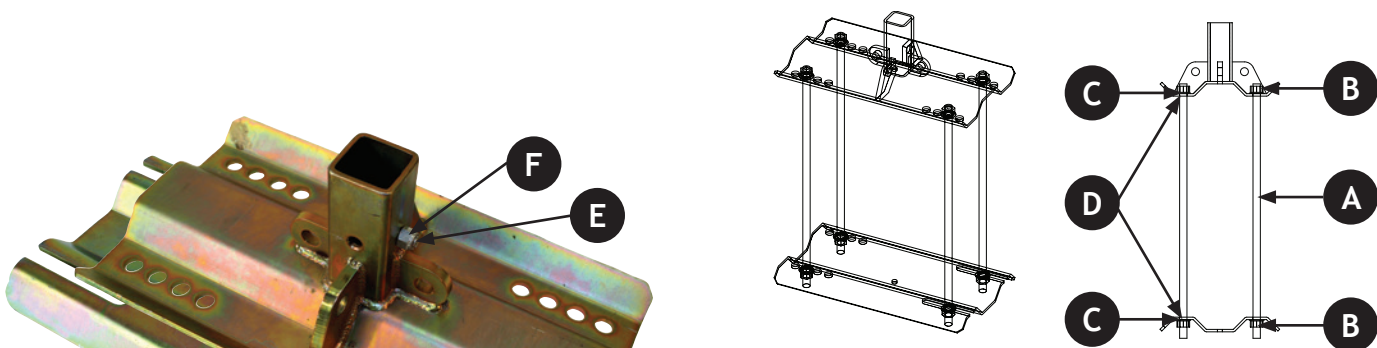




Replaceable Parts	
Part #	Description
6172-10	Pass-thru plate (A)

## Ratchet Strap Bypass Assembly Product Number: 6172

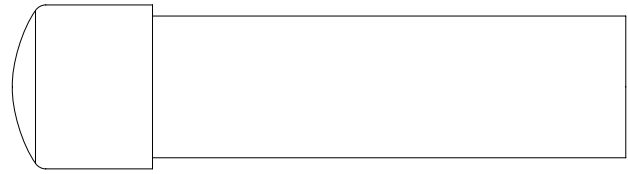
Provides a temporary bypass point for horizontal lifeline systems utilizing a ratchet strap as opposed to a permanently installed bypass.



Replaceable Parts	
Part #	Description
2173-25	3/4" X 36" (19mmX.9m) galv. threaded rod (A)
2114-75-1	3/4" (19mm) nut - galvanized (B)
2126-75-3	3/4" (19mm) lock washer - galvanized (C)
2126-75-2	3/4" (19mm) flat washer - galvanized (D)
2102-50-325-1	1/2" X 3-1/4" (13mmX8.25cm) hex bolt (E)
2112-50-3	1/2" (13mm) Ny-Lok nut (F)

## Concrete Beam Receiver Base (Upper And Lower Plate) Product Number: 6173

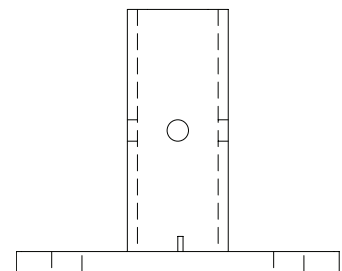
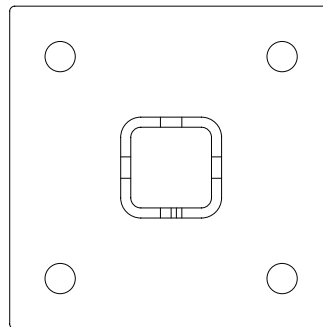
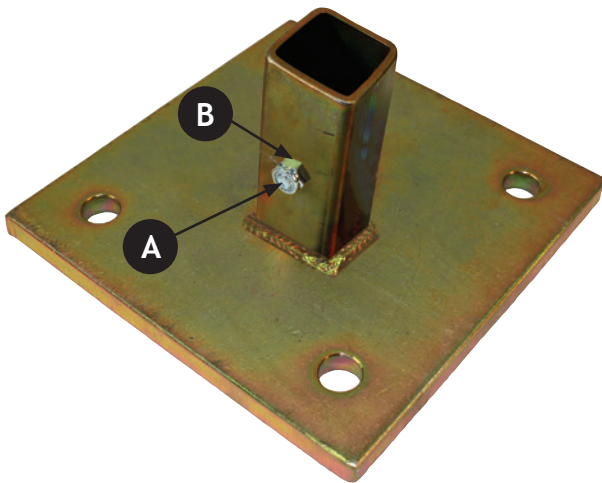
Two-piece system bolts to concrete beams and provides a receiver for horizontal lifeline system end and midpoint stanchion assemblies.



**No Replaceable Parts**

## PVC Drop-In Sleeve for Stanchion Product Number: 6181

The PVC Drop-In Sleeve for Stanchion is cast in place in concrete and provides a receiver for horizontal lifeline end and midpoint stanchion assemblies.



### Replaceable Parts

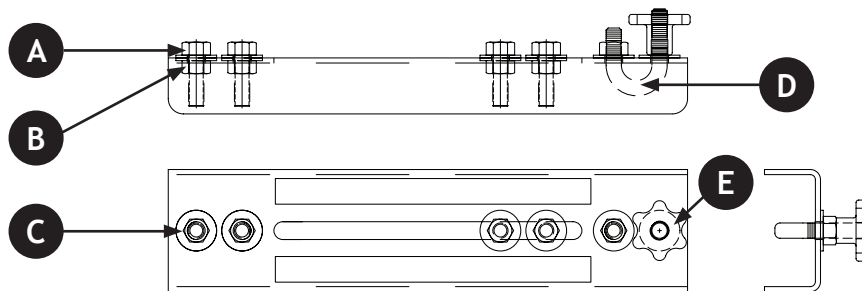
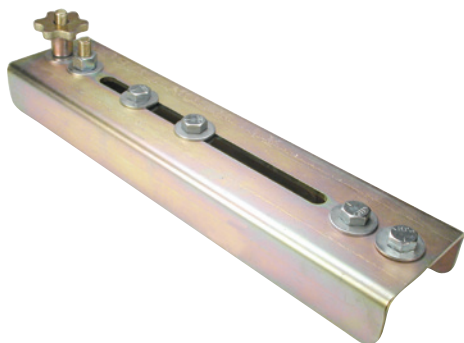
Part #	Description
2102-50-325-1	1/2" X 3-1/4" (13mmX8.25cm) hex bolt (A)
2112-50-3	1/2" (13mm) Ny-Lok nut (B)
2102-62-800-5	5/8" X 8" (16mmX20cm) threaded rod (not pictured)
3084-20	Concrete epoxy (not pictured)

## Bolt Down Stanchion Receiver for Concrete Product Number: 6185-10

Bolt Down Stanchion Receiver for Concrete (sold as part of a complete horizontal lifeline system).





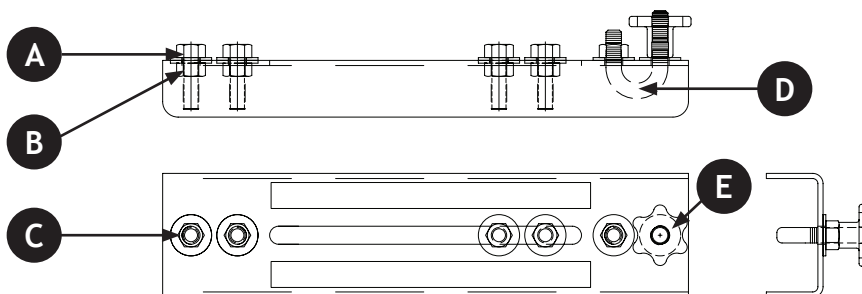
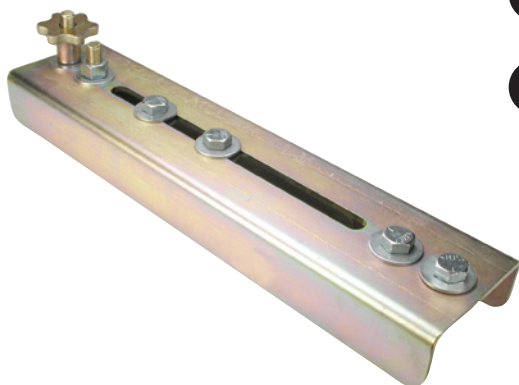


Replaceable Parts	
Part #	Description
2102-75-250-1	3/4" X 2-1/2" (19mmX10cm) bolt (A)
2112-75-6	3/4" (19mm) hex heavy nut (B)
2122-75-2	3/4" (19mm) flat washer wide (C)
6200-29	J-bolt (D)
6200-30	Knob handle (E)

## 60" HLL Extension Bar Product Number: 6190

Used for Rebar systems.

(\*Sold only as parts of complete engineered systems or to registered customers as replacement parts.)



Replaceable Parts	
Part #	Description
2102-75-250-1	3/4" X 2-1/2" (19mmX10cm) bolt (A)
2112-75-6	3/4" (19mm) hex heavy nut (B)
2122-75-2	3/4" (19mm) flat washer wide (C)
6200-29	J-bolt (D)
6200-30	Knob handle (E)

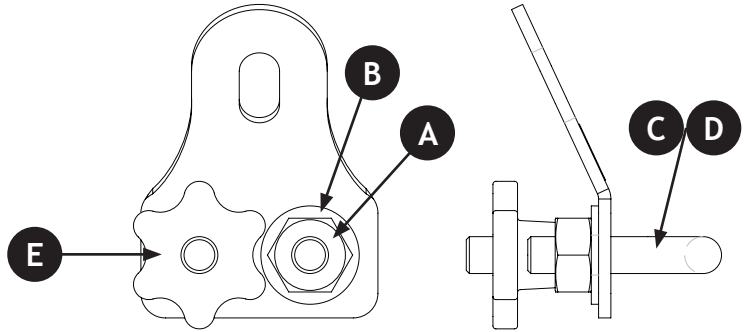
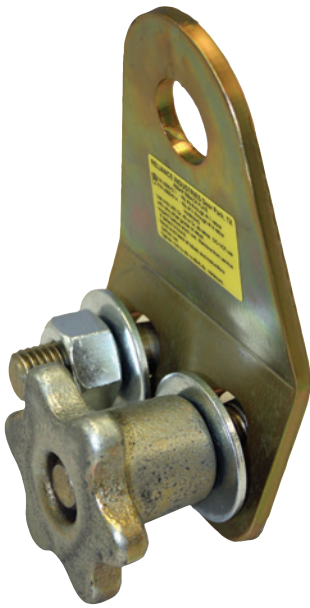
## 84" HLL Extension Bar Product Number: 6191

Used for Rebar systems.

(\*Sold only as parts of complete engineered systems or to registered customers as replacement parts.)



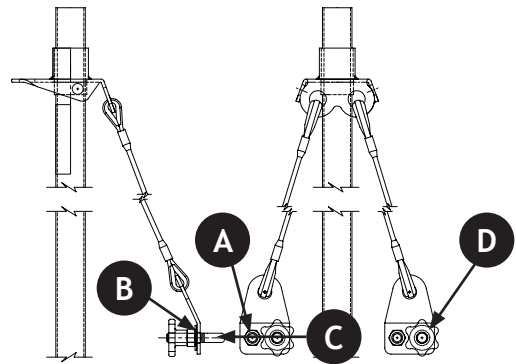
# Horizontal Lifeline System Components



Replaceable Parts	
Part #	Description
2112-75-6	3/4" (19mm) hex heavy nut (A)
2122-75-2	3/4" (19mm) flat washer wide (B)
6200-011-29	'J'-bolt for 3088-011 (C)
6200-014-29	'J'-Bolt for 3088-014 (D)
6200-30	Knob handle (E)

## Rebar Tie-Back Anchor Plate Product Number: 6200-XX

Rebar Tie-Back Anchor Plate 6200-011 for #6-#11 Rebar 6200-014 for #14 Rebar

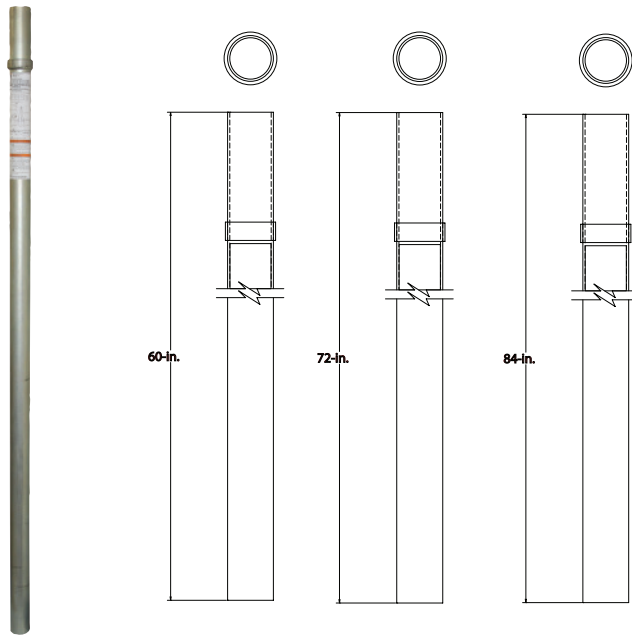


Replaceable Parts	
Part #	Description
2112-75-6	3/4" (19mm) hex heavy nut (A)
2122-75-2	3/4" (19mm) flat washer wide (B)
6200-29	J-bolt (C)
6200-30	Knob handle (D)

## 60", 72", 84" (1.5m, 1.8m, 2.1m) Commercial Rebar Stanchion Head Tieback Assemblies Product Number: 6200-21, 6210-21, 6220-21

Stanchion head assembly with tieback cable assemblies for use with Concrete Rebar Stanchions.  
6200-21 : 60" (1.5m), Gold color, used with 6200-23 stanchion. 6210-21 : 72" (1.8m), Silver color, used with 6210-23 stanchion. 6220-21 : 84" (2.1m), Black color, used with 6220-23 stanchion.

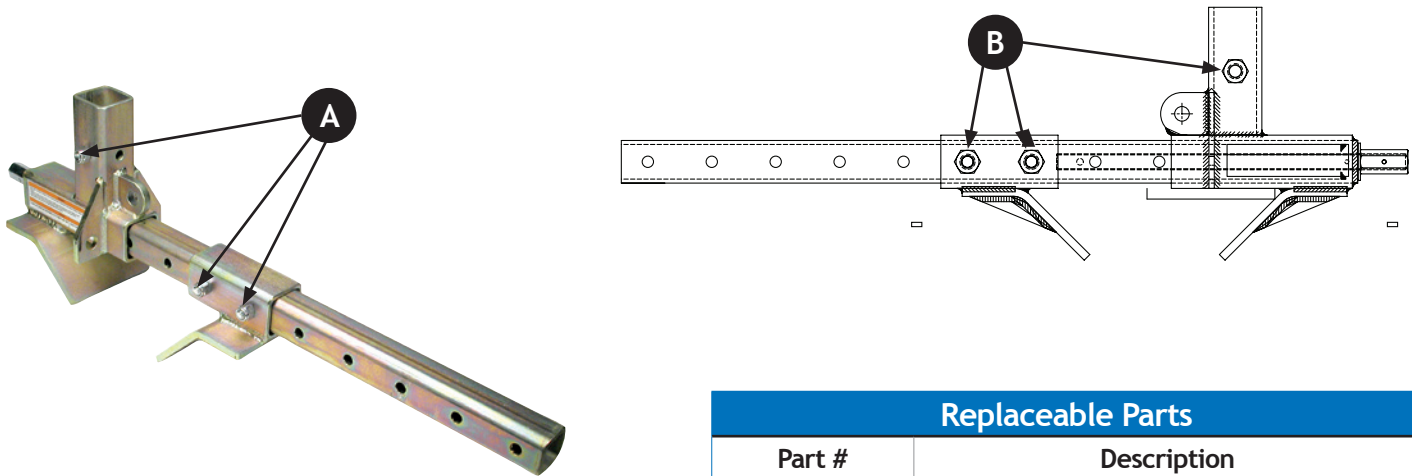




**No Replaceable Parts**

**60", 72", 84" (1.5m, 1.8m, 2.1m) Concrete Rebar Stanchions**  
**Product Number: 6200-23, 6210-23, 6220-23**

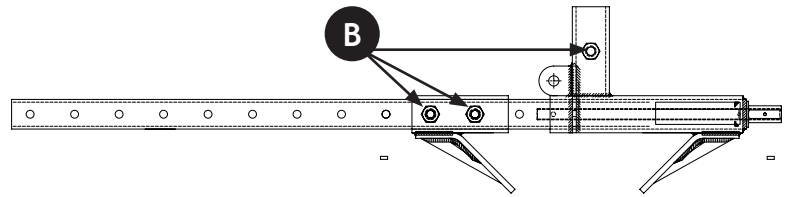
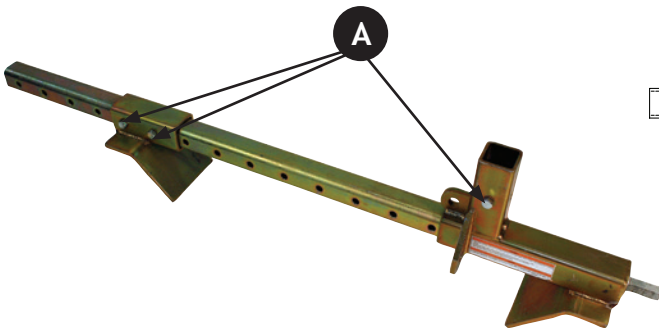
Commercial Rebar Stanchion Tube, 60", 72", 84" (1.5m, 1.8m, 2.1m).  
 6200-23 : Gold color, 6210-23 : Silver Color, 6220-23 : Black Color



Replaceable Parts	
Part #	Description
2102-50-325-1	1/2" X 3-1/4" (13mmX8.25cm) hex bolt (A)
2112-50-3	1/2" (13mm) Ny-Lok nut (B)

**HLL Stanchion Beam Clamp (Wide)**  
**Product Number: 6230**

HLL Stanchion Base. For use on I-beams. 6" - 28" (15cm - 71cm) clamp range, 1/2" - 2" (13mm - 5cm) flange thickness.



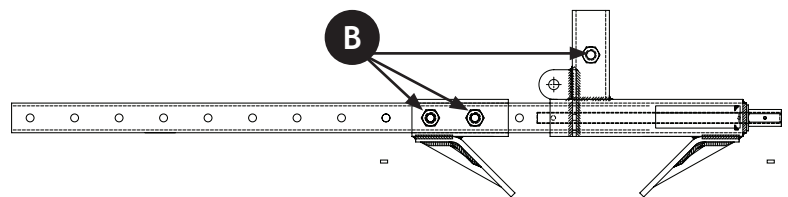
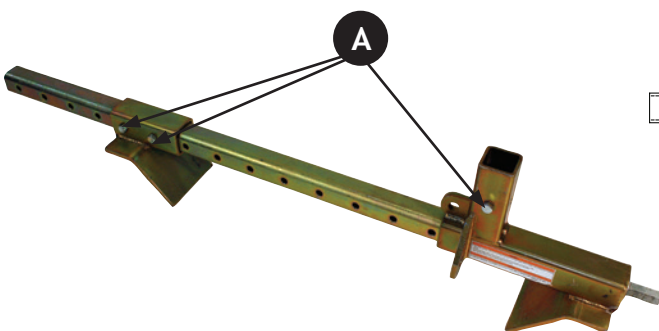
### Replaceable Parts

Part #	Description
2102-50-325-1	1/2" X 3-1/4" (13mmX8.25cm) hex bolt (A)
2112-50-3	1/2" (13mm) Ny-Lok nut (B)

## Horizontal Lifeline Stanchion Beam Clamp

Product Number: 6231

Horizontal Lifeline Stanchion Beam Clamp. Clamps to I-beams to provide receiver for end and midpoint HLL stanchions. Fits 11"-38" width, 1/2" - 3" thick (28 - 96cm width 1.2 - 7.6cm thick)



### Replaceable Parts

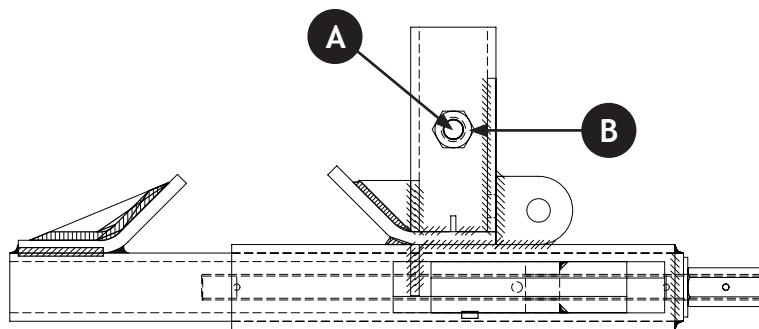
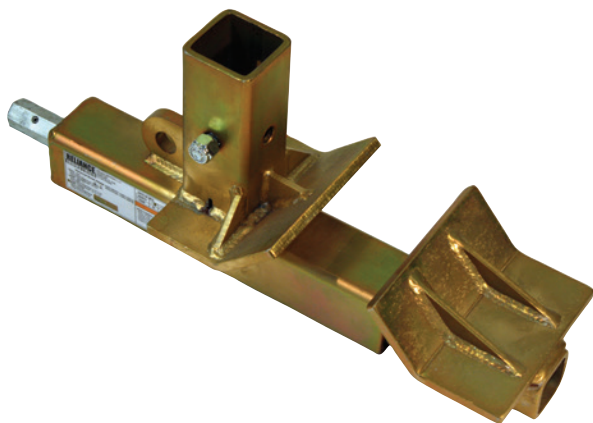
Part #	Description
2102-50-325-1	1/2" X 3-1/4" (13mmX8.25cm) hex bolt (A)
2112-50-3	1/2" (13mm) Ny-Lok nut (B)

## Horizontal Lifeline Stanchion Beam Clamp

Product Number: 6233

Horizontal Lifeline Stanchion Beam Clamp. Clamps to I-beams to provide receiver for end and midpoint HLL stanchions. Fits 12"-38" width, 1/2" - 4" thick (30 - 96cm width 1.2 - 10.1cm thick)





### Replaceable Parts

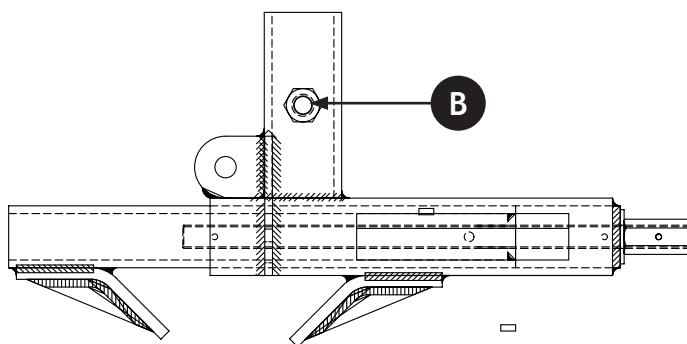
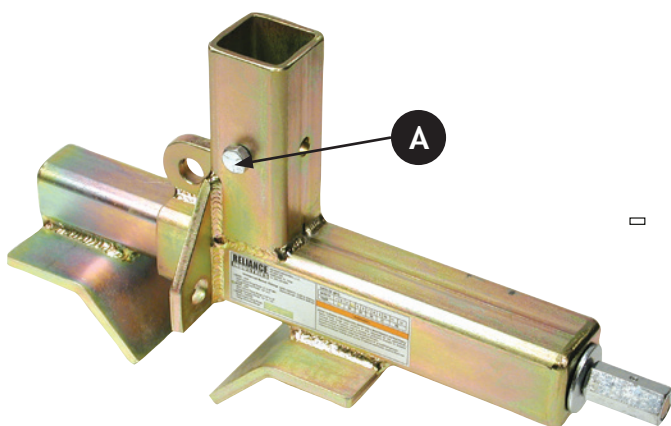
Part #	Description
2102-50-325-1	1/2" X 3-1/4" (13mmX8.25cm) hex bolt (A)
2112-50-3	1/2" (13mm) Ny-Lok nut (B)

## HLL Stanchion Beam Clamp (Inverted)

Product Number: 6235

HLL Stanchion Base for use on I-beams. Underslung clamp.

4-1/2" - 14" (11cm - 35.5cm) clamp range, 1/2" - 1-1/2" (13mm - 65mm) flange thickness.



### Replaceable Parts

Part #	Description
2102-50-325-1	1/2" X 3-1/4" (13mmX8.25cm) hex bolt (A)
2112-50-3	1/2" (13mm) Ny-Lok nut (B)

## HLL Stanchion Beam Clamp (Universal)

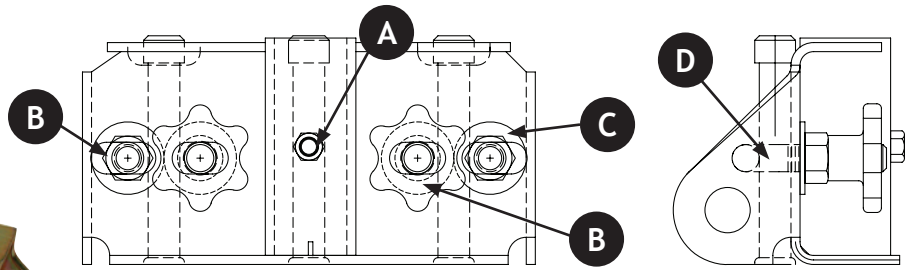
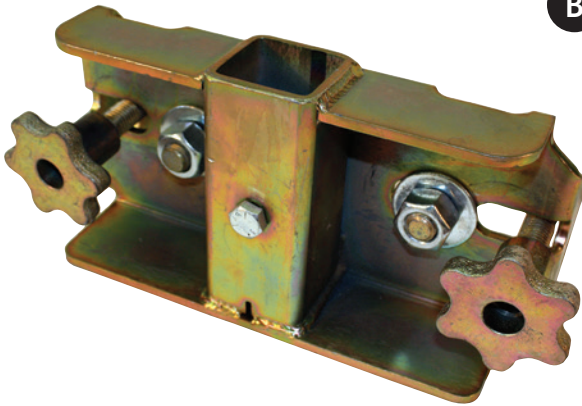
Product Number: 6240

HLL Stanchion Base. For use on I-beams.

4-1/2" - 14" (11cm - 35.5cm) clamp range, 1/2" - 1-1/2" (13mm - 65mm) flange thickness.



# Horizontal Lifeline System Components



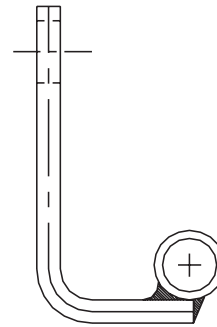
## Replaceable Parts

Part #	Description
2102-50-150-1	1/2" X 1-1/2" (13mmX65mm) hex bolt (A)
2112-75-6	3/4" (19mm) hex heavy nut (B)
2122-75-2	3/4" (19mm) flat washer wide (C)
6200-29	J-bolt (D)
6200-30	Knob handle (E)

## Nelson Stud Bracket Base

Product Number: 6260

Nelson Stud Bracket Base. Attaches to Nelson Studs to provide receiver for horizontal lifeline end and midpoint stanchion assemblies. 7-3/8" to 7-5/8" (18.7 to 19.3cm). Large selection of sizes available



## Replaceable Parts

Part #	Description
2100-37-200-3	3/8" X 2" (10mmX5cm) stainless bolt 82°
2110-37-1	3/8" (10mm) stainless nut
2120-37-1	3/8" (10mm) stainless flat washer
2120-37-3	3/8" (10mm) stainless lock washer

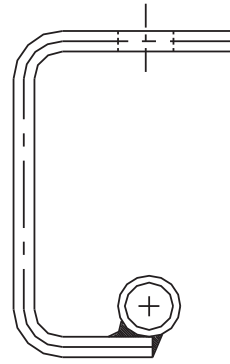
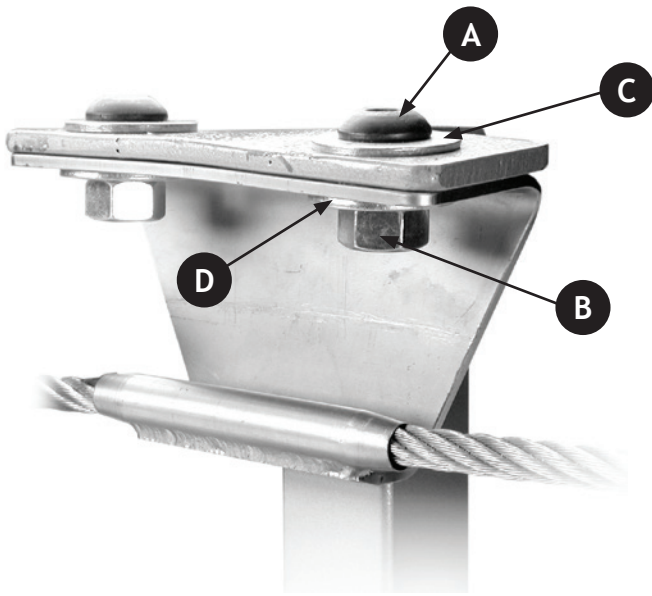
*\*All parts are attachment hardware - not shown here*

## Stainless Steel Horizontal Lifeline Hands-Free Bypass Support

Product Number: 6452

Stainless Steel hands-free bypass suport. Side mount.

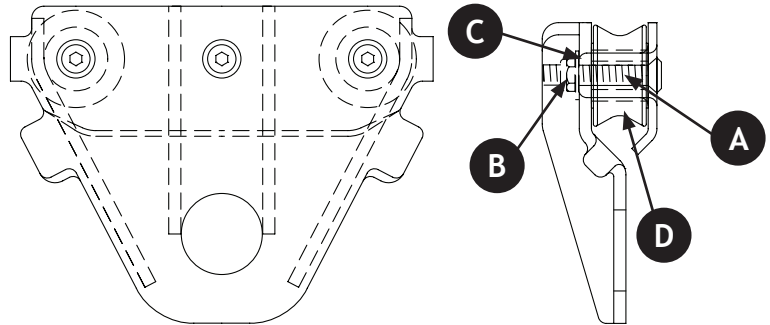




Replaceable Parts	
Part #	Description
2100-37-200-3	3/8" X 2" (10mmX5cm) stainless bolt 82° (A)
2110-37-1	3/8" (10mm) stainless nut (B)
2120-37-1	3/8" (10mm) stainless flat washer (C)
2120-37-3	3/8" (10mm) stainless lock washer (D)

## Stainless Steel Horizontal Lifeline Hands Free Bypass Support Product Number: 6454

Stainless steel hands-free bypass support top mount.



Replaceable Parts	
Part #	Description
2100-31-175-3	5/16" X 1-3/4" (8mmX44mm) stainless bolt 82° (A)
2110-31-4	5/16" (8mm) stainless lock nut (B)
2120-31-1	5/16" (8mm) stainless flat washer (C)
6460-18	Wheel traveler (D)

## Horizontal Lifeline Hands Free Dual Wheel Traveler Product Number: 6461

Stainless steel dual wheel traveler. Used to support retractables on the HLL. Stainless. Use with 6454 top-mount or 6452 side mount (sold separately)



# Horizontal Lifeline System Components



**6092**  
Ratchet Strap



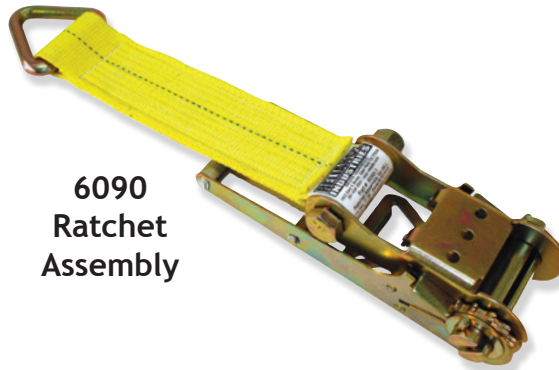
**6050**  
In Line  
Cable Clamp



**6000**  
In Line Energy  
Absorber



**6062**  
Bow Shackles  
(4 each)



**6090**  
Ratchet  
Assembly

*Please Note : The 6310 is an integral part of most Reliance horizontal lifeline systems. Cable lengths vary according to the requirements for each individual system; cable is therefore not included with these components. For details on the cable component, please see pg. 13.*

Replaceable Parts	
Part #	Description
6310	Replaces entire system
6092	Ratchet Strap - See pg. 16 for details
6050	Inline Cable Clamp - See pg. 9 for details
6000	In-Line Energy Absorber - See pg. 8 for details
6062	Bow Shackles - See pg. 11 for details
6090	Ratchet Assembly - See pg. 16 for details

## Portable Horizontal Lifeline System w/o anchorages or cable Product Number: 6310

Because these are Tuned Cable™ technology systems, they're easy to install and will fit safely in more applications than any other systems on the market. After reviewing the design program (web-based with training or through Reliance specialist) for your application, choose appropriate cable length and anchorage terminations based on those needs for up to 4 men and 200 ft.

### Components:

- 6000-Skyline Shock absorber-tensioner
- 6050-InlineCable Clamp
- 6090 3" (7.6cm) Ratchet
- 6092-10' X 3" (3m X 7.6cm) Tensioning Strap & mating hardware
- 6062-1/2" (13mm) shackles







**6123**  
Ratchet w/  
Web Shock Absorber



**6126**  
Ratchet Strap



**6062**  
Bow Shackles  
(2 each)



**T167433**  
O-Rings  
(2 each)

Replaceable Parts	
Part #	Description
6062	1/2" (13mm) Stainless Bow Shackles (Pg. 11)
6123	2" (5cm) Ratchet w/ Web Shock Absorber (Pg. 17)
6126	2" X 30' (5cm X 9m) Ratchet Strap
T167433	O-Ring Connection Point

## 30' (9m) Temporary Horizontal Lifeline System Product Number: 6320-30

30' (9m) Temporary Horizontal Lifeline. 2" webbing X 30' long. (5cm X 9m)



**6123**  
Ratchet w/  
Web Shock Absorber



**6128**  
Ratchet Strap



**6062**  
Bow Shackles  
(2 each)



**T167433**  
O-Rings  
(2 each)

Replaceable Parts	
Part #	Description
6062	1/2" (13mm) Stainless Bow Shackles (Pg. 11)
6123	2" (5cm) Ratchet w/ Web Shock Absorber (Pg. 17)
6128	2" X 60' (5cm X 18m) Ratchet Strap
T167433	O-Ring Connection Point

## 60' (18m) Temporary Horizontal Lifeline System Product Number: 6320-60

60' (18m) Temporary Horizontal Lifeline. 2" webbing X 60' long. (5cm X 18m)



## Notes





## Notes





**Reliance Fall Protection**  
P.O. Box 2046  
Deer Park, TX 77536  
Phone 281.930.8000  
Toll-Free 888.362.2826  
Fax 281.930.8666

[www.relsafe.com](http://www.relsafe.com)

